

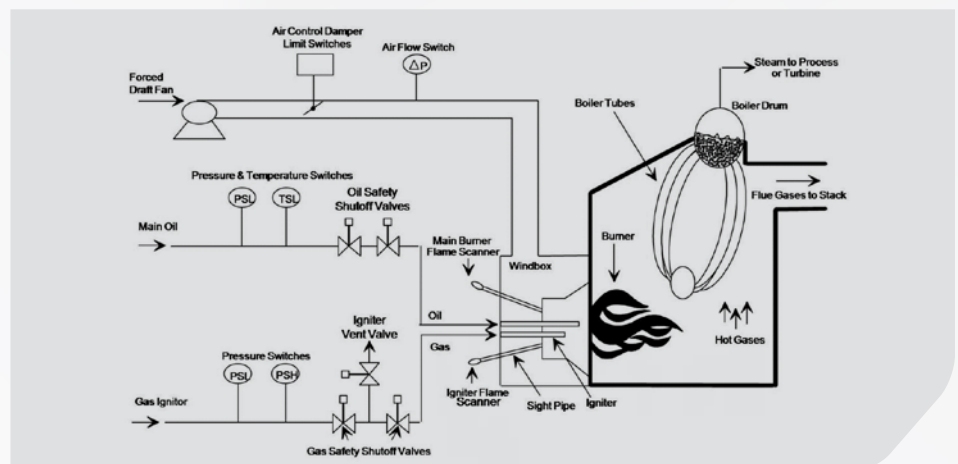
# Burner Management System (BMS)

Keep your burner management system running safely with a retrofit solution

**PROBLEM**

Does your Burner Management System (BMS) or Combustion Control System (CCS) meet current fired equipment safety regulations?

Keeping people safe while running your operations is top of mind when it comes to operating and maintaining fired equipment. Operating efficiently and quickly troubleshooting are also necessary to keep things running at peak performance. A retrofit solution will help you maintain peak performance with your existing systems. These types of solutions can be implemented within tight downtime schedules.



**SOLUTION**

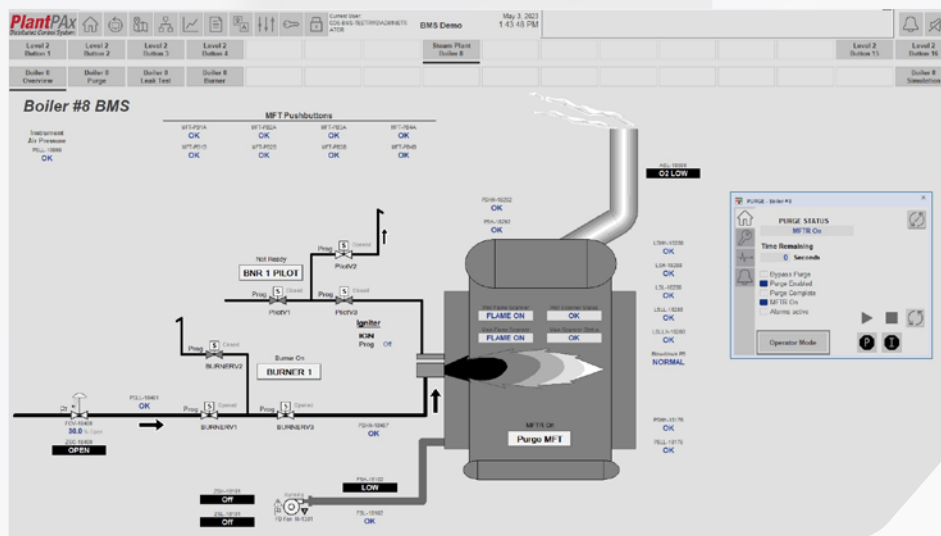
## Safety is critical

Our Rockwell Automation LifecycleIQ Services team applies their industry expertise to offer a BMS or CCS for power boilers, drying and other fired equipment. Our retrofit solutions meet current NFPA 85, 86, and 87 requirements and offer fast and reliable first out fault detection. Technicians and maintenance personnel support and use our platform worldwide.

BMS and CCS solutions integrate seamlessly into PlantPax distributed control systems, or other platforms, enhancing a plant-wide Connected Enterprise. These retrofit solutions help your team:

**Enhancing  
a plant-wide  
Connected Enterprise**

- ▶ **Simplify** maintenance and training
- ▶ **Identify** root cause and resolve equipment faults on the plant floor up to 50% faster
- ▶ **Maximize** heating and drying capacity



**CONNECT WITH US**



**Contact a Rockwell Automation representative to learn how these BMS and CCS solutions can support your operations.**

**AMERICAS**

Rockwell Automation, 1201 South Second St., Milwaukee, WI 53204-2496, USA. Tel: (1) 414.382.2000, Fax: (1) 414.382.4444

**EUROPE/MIDDLE EAST/AFRICA**

Rockwell Automation NV, Pegasus Park, De Kleetlaan 12A, 1831 Diegem, Belgium. Tel: (32) 2.663.0600, Fax: (32) 2.663.0640

**ASIA PACIFIC**

Rockwell Automation, Level 14, Core F, Cyberport 3, 100 Cyberport Road, Hong Kong. Tel: (852) 2887.4788, Fax: (852) 2508.1846



Rockwell Automation is a trademark of Rockwell Automation, Inc. Trademarks not belonging to Rockwell Automation are property of their respective companies. Copyright © 2023 Rockwell Automation, Inc. All rights reserved. Printed in USA.

rockwellautomation.com

expanding human possibility®