

MECHANICAL POWER TRANSMISSION

Food Safe mounted ball bearings



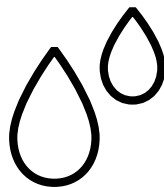
Safeguard equipment and product integrity

Food safety and reliability

It goes without saying, every producer wants to avoid product recalls. As regulations and consumers continue to pressure manufacturers for more stringent food safety requirements, producers must take a proactive approach to controlling and preventing food borne illnesses. Having the right processes in place and equipment that is designed around food safety principles is critical.

Average cost per recall to food producers = \$10 million

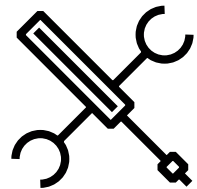
Aggressive cleaning and sanitation practices are necessary to meet food safety regulations. These processes can be extremely tough on equipment and have devastating and far reaching effects on a company's reputation and profits. To ensure uptime, don't let bearings be the weak link in your production chain. Dodge® Food Safe bearings can improve reliability for your clean-in-place procedures and provide you the assurance needed. Food Safe bearings solve two of the most prominent industry challenges when it comes to bearings - grease washout and corrosion. We conquer these challenges with advanced designs and back our product with an unprecedented 1 year warranty from failure due to water ingress.



Improved cleanability



Extended life



Reduced maintenance



Dodge Food Safe bearings

Improved cleanability

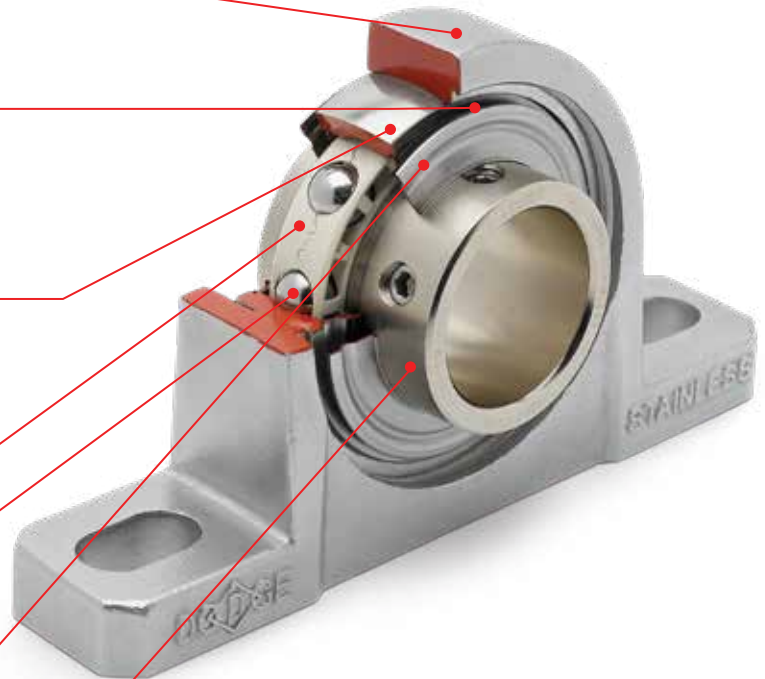
- **Housing**
 - Smooth housing without a grease zerk designed to minimize harboring points
- **Laser identification**
 - Minimizes crevices that can harbor bacteria

Reduced maintenance

- **Sealed bearings**
 - Sealed and lubed for life design minimizes maintenance costs

Extended life

- **Max Life cage**
 - Prevents grease washout
- **H1 food grade lubricant**
 - Lubed for life with synthetic food grade lubricant
- **Hydro armor seal**
 - Protects internal rotating elements from water ingress
- **KleenTec insert**
 - Enhanced corrosion resistance from common cleaning agents



IP69 rated for extended life

Designed to prevent water ingress

Quickly becoming the standard for washdown environments, products rated for IP69 (for water) are protected against high temperature, high pressure spray at close proximity. Although industry guidelines recommend limiting cleaning pressures to 200 psi to prevent atomizing bacteria, our testing is conducted at 7 times this pressure to demonstrate the robustness of our sealing system. To meet the IP69 rating (for water), a bearing cannot allow any water past the seal under the extreme test parameters outlined below. Dodge Food Safe bearings are the first bearings on the market that can meet this requirement without the use of an end cover.

**IP69
for Water**

IP69 test procedures

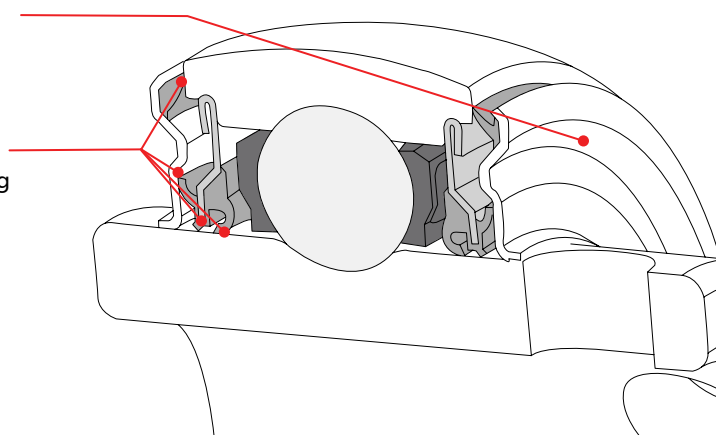
- 176 Fahrenheit
- 1160 - 1450 psi
- Distance: 4 - 6 inches
- Flow rate: 4 gallons per minute
- 5 r/min
- 4 spray positions; 0, 30, 90 degrees
- 30 seconds per position



Hydro armor seal

Stainless steel flinger is extended for greater protection under high pressure washdown

Four contact lip seals keep water and contamination from entering the bearing

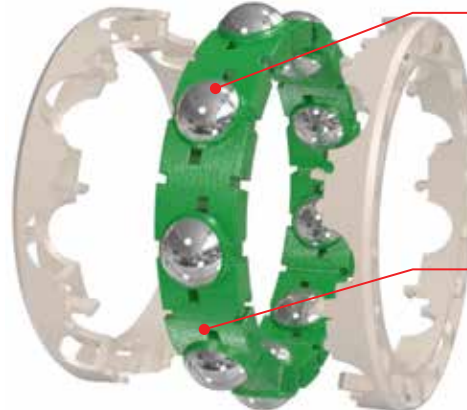


Superior lubrication protection

Max Life cage - grease washout prevention



Compartments hold grease in to prevent grease washout during high pressure cleaning



Unlike standard designs, the max life cage holds a large volume of grease which ensures constant contact with the rolling elements

H1 Food Grade synthetic grease

Backed by an unprecedented 1-year warranty

against failure due to water ingress



We are confident in our testing and simulations of real life clean in place procedures and have backed Food Safe bearings with an unprecedented 1-year warranty against failures due to water ingress. Unlike traditional warranties that only cover materials and workmanship, Food Safe bearings carry a 1-year warranty when products are registered upon installation.

Lowering your risk of inspection violations

Revolutionary insert design for unmatched corrosion resistance

KleenTec Coating

A critical factor in extending the life of equipment is the use of corrosion resistant materials. Dodge Food Safe bearings feature a unique insert design starting with a stainless steel base material and finished with our revolutionary, KleenTec top coat for unmatched corrosion resistance.



Cleaning agent	Competitor 1	Competitor 2	Competitor 3	Dodge Food Safe
Phosphoric Acid				
Acid liquid sanitizer				
Cleaning wipe				

Chemical compatibility - corrosion summary

Cleaning agent	Competitor 1	Competitor 2	Competitor 3	Dodge Food Safe
Phosphoric Acid	Pass	Fail	Pass	Pass
Acid liquid sanitizer	Fail	Fail	Fail	Pass
Cleaning wipe	Fail	Fail	Pass	Pass

Improved safety and lower risk of recall

Cover rotating shafts with metal detectable end covers

Covers are made from a patent pending detectable polyethylene material containing stainless steel allowing detection by x-ray equipment and metal detectors. Additionally, the bright blue color is highly visible and makes them stand out in food processing applications.

Open (through shaft) or closed

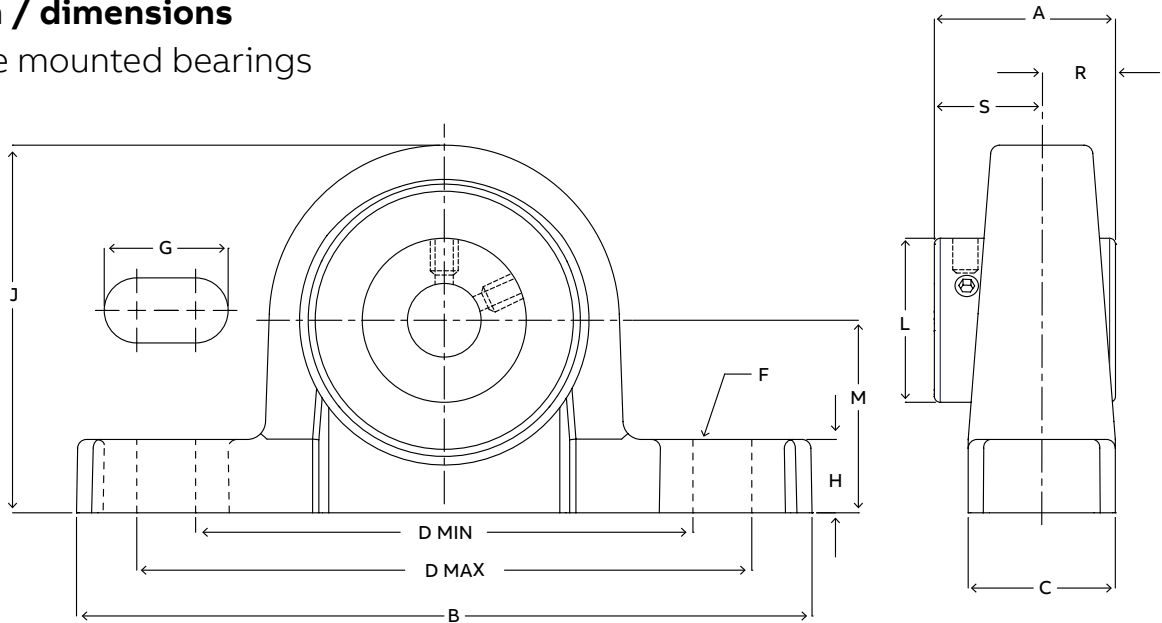


Secure fit ensures the cover stays in place during cleaning



Selection / dimensions

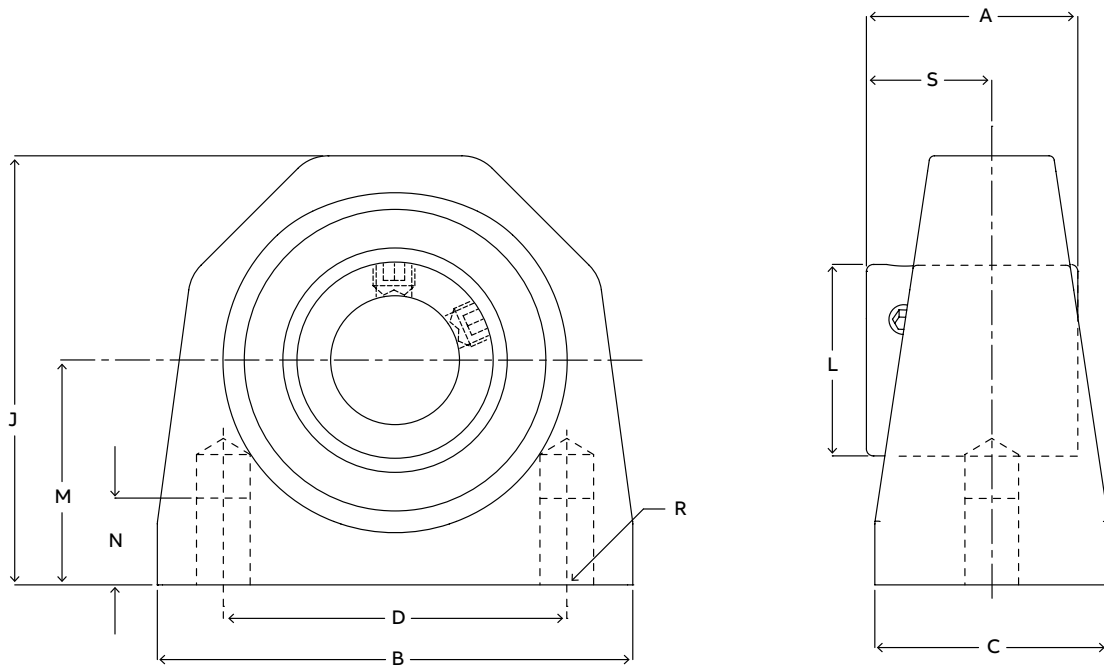
Food Safe mounted bearings



Pillow block bearings

Series	Shaft size	With Food Safe Insert		Weight lbs. (kg)	A	B	C	D		F Bolt Dia	G	H	J	L	M	R	S
		Part No.	Description					Min.	Max.								
204	1/2	137391	P2B-SCFS-008L-SHFS	1.31													
	5/8	137392	P2B-SCFS-010L-SHFS	1.31	1.23	5.00	1.00	3.38	4.18	3/8	0.84	0.50	2.50	1.11	1.31	0.5	0.73
	3/4	137393	P2B-SCFS-012-SHFS	1.31													
	20mm	137395	P2B-SCFS-20M-SHFS	(0.59)	(31.2)	(127.0)	(25.4)	(85.9)	(106.2)	M10	(21.3)	(12.7)	(63.5)	(28.2)	(33.3)	(12.7)	(18.5)
205	7/8	137396	P2B-SCFS-014-SHFS	1.59													
	15/16	137397	P2B-SCFS-015-SHFS	1.59	1.34	5.50	1.12	3.68	4.50	3/8	0.85	0.53	2.71	1.32	1.44	0.56	0.78
	1	137398	P2B-SCFS-100-SHFS	1.59													
	25mm	137399	P2B-SCFS-25M-SHFS	(0.73)	(34.0)	(139.7)	(28.4)	(93.5)	(114.3)	M10	(21.6)	(13.5)	(68.8)	(33.5)	(36.6)	(14.2)	(19.8)
206	1-1/8	137401	P2B-SCFS-102-SHFS	2.33													
	1-3/16	137402	P2B-SCFS-103-SHFS	2.33	1.52	6.25	1.25	4.26	5.00	1/2	0.93	0.53	3.13	1.57	1.63	0.58	0.94
	1-1/4	137403	P2B-SCFS-104S-SHFS	2.29													
	30mm	137404	P2B-SCFS-30M-SHFS	1.06	(38.6)	(158.8)	(31.8)	(108.2)	(127.0)	M12	(23.6)	(13.5)	(79.5)	(39.9)	(41.4)	(14.7)	(23.9)
207	1-1/4	137410	P2B-SCFS-104-SHFS	3.36													
	1-5/16	137411	P2B-SCFS-105-SHFS	3.36	1.71	6.50	1.38	4.68	5.44	1/2	0.94	0.56	3.63	1.84	1.88	0.67	1.04
	1-3/8	137412	P2B-SCFS-106-SHFS	3.36													
	1-7/16	137413	P2B-SCFS-107-SHFS	3.19													
	35mm	137414	P2B-SCFS-35M-SHFS	(1.47)	(43.4)	(165.1)	(35.1)	(118.9)	(138.2)	M12	(23.9)	(14.2)	(92.2)	(46.7)	(47.8)	(17.0)	(26.4)
208	1-1/2	137415	P2B-SCFS-108-SHFS	4.39	1.94	7.00	1.50	5.18	6.00	1/2	0.97	0.75	4.00	2.05	2.13	0.75	1.19
	40mm	137417	P2B-SCFS-40M-SHFS	(1.95)	(49.3)	(177.8)	(38.1)	(131.6)	(152.4)	M12	(24.6)	(19.1)	(101.6)	(52.1)	(54.1)	(19.1)	(30.2)
210	1-15/16	137425	P2B-SCFS-115-SHFS	5.14													
	2	137426	P2B-SCFS-200-SHFS	5.09	1.94	8.00	1.63	5.76	6.68	5/8	1.14	0.62	4.31	2.43	2.25	0.75	1.19
	50mm	137427	P2B-SCFS-50M-SHFS	(2.29)	(49.3)	(203.2)	(41.4)	(146.3)	(169.7)	M16	(29.0)	(15.7)	(109.5)	(61.7)	(57.2)	(19.1)	(30.2)

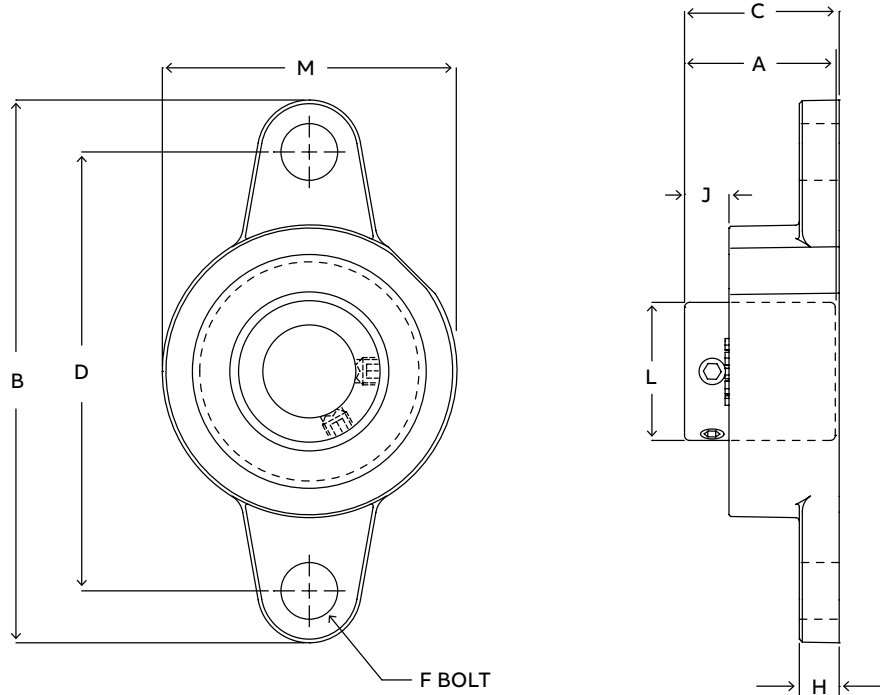
Note: Dimensions are in inches and (mm).



Tapped base bearings

Series	Shaft size	With Food Safe Insert		Weight lbs. (kg)	A	B	C	D	J	L	M	N	R	S
		Part No.	Description											
204	1/2	137436	TB-SCFS-008L-SHFS	1.27										
	5/8	137437	TB-SCFS-010L-SHFS	1.27	1.23	2.77	1.36	2.00	2.50	1.11	1.31	0.45	3/8-16	0.73
	3/4	136784	TB-SCFS-012-SHFS	1.27										
	20mm	136855	TB-SCFS-20M-SHFS	(.576)	(31.2)	(70.4)	(34.5)	(50.8)	(63.5)	(28.2)	(33.4)	(11.4)	M10	(18.5)
205	7/8	137441	TB-SCFS-014-SHFS	1.48										
	15/16	137442	TB-SCFS-015-SHFS	1.48	1.34	3.06	1.39	2.00	2.75	1.32	1.44	0.45	3/8-16	0.78
	1	137443	TB-SCFS-100-SHFS	1.48										
	25mm	137444	TB-SCFS-25M-SHFS	(.671)	(34.0)	(77.7)	(35.3)	(50.8)	(69.9)	(33.5)	(36.5)	(11.4)	M10	(19.8)
206	1-1/8	137446	TB-SCFS-102-SHFS	2.49										
	1-3/16	137447	TB-SCFS-103-SHFS	2.49	1.52	3.84	1.50	3.00	3.22	1.57	1.69	0.88	7/16-14	0.94
	1-1/4	137448	TB-SCFS-104S-SHFS	2.49										
	30mm	137449	TB-SCFS-30M-SHFS	(1.13)	(38.6)	(97.5)	(38.1)	(76.2)	(81.8)	(39.9)	(42.9)	(22.4)	M10	(23.9)
207	1-1/4	137450	TB-SCFS-104-SHFS	3.55										
	1-5/16	137451	TB-SCFS-105-SHFS	3.55										
	1-3/8	137452	TB-SCFS-106-SHFS	3.55	1.71	4.15	1.77	3.25	3.66	1.84	1.88	0.75	1/2-13	1.04
	1-7/16	137453	TB-SCFS-107-SHFS	3.55										
	35mm	137454	TB-SCFS-35M-SHFS	(1.61)	(43.4)	(105.4)	(45.0)	(82.6)	(93.0)	(46.7)	(47.6)	(19.1)	M12	(26.4)
208	1-1/2	137455	TB-SCFS-108-SHFS	4.21	1.94	4.51	1.80	3.50	4.00	2.05	2.13	1.00	1/2-13	1.19
	40mm	137457	TB-SCFS-40M-SHFS	(1.91)	(49.3)	(114.6)	(45.7)	(88.9)	(101.6)	(52.1)	(54.0)	(25.4)	M12	(30.2)

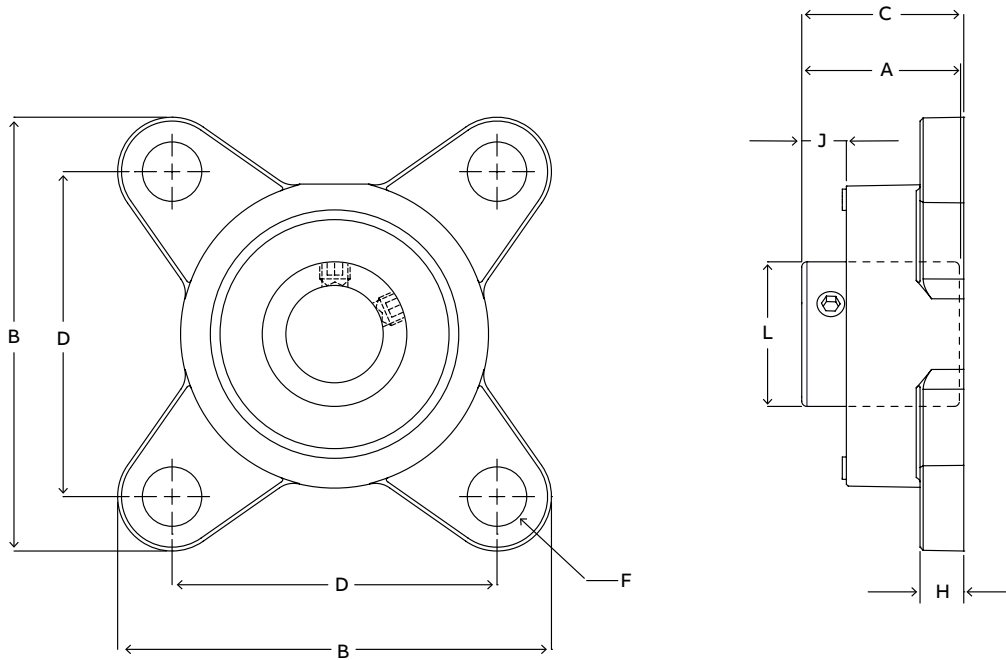
Note: Dimensions are in inches and (mm).



2-bolt flange bearings

Series	Shaft size	Part No.	With Food Safe Insert Description	Weight lbs. (kg)	A	B	C	D	F Bolt Dia.	H	J	L	M
204	1/2	137465	F2B-SCFS-008L-SHFS	0.95									
	5/8	137466	F2B-SCFS-010L-SHFS	0.95	1.23	4.38	1.25	3.54	3/8	0.32	0.36	1.11	2.38
	3/4	137467	F2B-SCFS-012-SHFS	0.95									
	20mm	137469	F2B-SCFS-20M-SHFS	(0.42)	(31.2)	(111.3)	(31.7)	(89.9)	M10	(8.1)	(9.1)	(28.2)	(60.5)
205	7/8	137470	F2B-SCFS-014-SHFS	1.21									
	15/16	137471	F2B-SCFS-015-SHFS	1.21	1.34	4.89	1.37	3.89	3/8	0.35	0.39	1.32	2.63
	1	137472	F2B-SCFS-100-SHFS	1.21									
	25mm	137473	F2B-SCFS-25M-SHFS	(0.55)	(34.0)	(124.2)	(34.7)	(98.8)	M10	(8.9)	(9.9)	(33.5)	(66.8)
206	1-1/8	137475	F2B-SCFS-102-SHFS	1.91									
	1-3/16	137476	F2B-SCFS-103-SHFS	1.91	1.52	5.51	1.59	4.59	3/8	0.35	0.46	1.57	3.13
	1-1/4	137477	F2B-SCFS-104S-SHFS	1.87									
	30mm	137478	F2B-SCFS-30M-SHFS	(0.87)	(38.6)	(140.0)	(40.4)	(116.6)	M10	(8.9)	(11.7)	(39.9)	(79.5)
207	1-1/4	137479	F2B-SCFS-104-SHFS	2.64									
	1-5/16	137480	F2B-SCFS-105-SHFS	2.64	1.71	6.18	1.76	5.12	1/2	0.42	0.55	1.84	3.50
	1-3/8	137481	F2B-SCFS-106-SHFS	2.64									
	1-7/16	137482	F2B-SCFS-107-SHFS	2.47									
208	35mm	137483	F2B-SCFS-35M-SHFS	(1.15)	(43.4)	(157.0)	(44.8)	(130.0)	M12	(10.7)	(13.9)	(46.7)	(88.9)
	1-1/2	137484	F2B-SCFS-108-SHFS	3.40	1.94	6.71	1.97	5.65	1/2	0.42	0.63	2.05	3.84
	40mm	137486	F2B-SCFS-40M-SHFS	(1.50)	(49.3)	(170.4)	(50.1)	(143.5)	M12	(10.7)	(16.1)	(52.1)	(97.5)
210	1-15/16	137491	F2B-SCFS-115-SHFS	4.17									
	2	137492	F2B-SCFS-200-SHFS	4.13	1.94	7.48	1.98	6.18	5/8	0.48	0.63	2.43	4.31
	50mm	137493	F2B-SCFS-50M-SHFS	(1.87)	(49.3)	(190.0)	(50.3)	(157.0)	M16	(12.2)	(16.1)	(61.7)	(109.5)

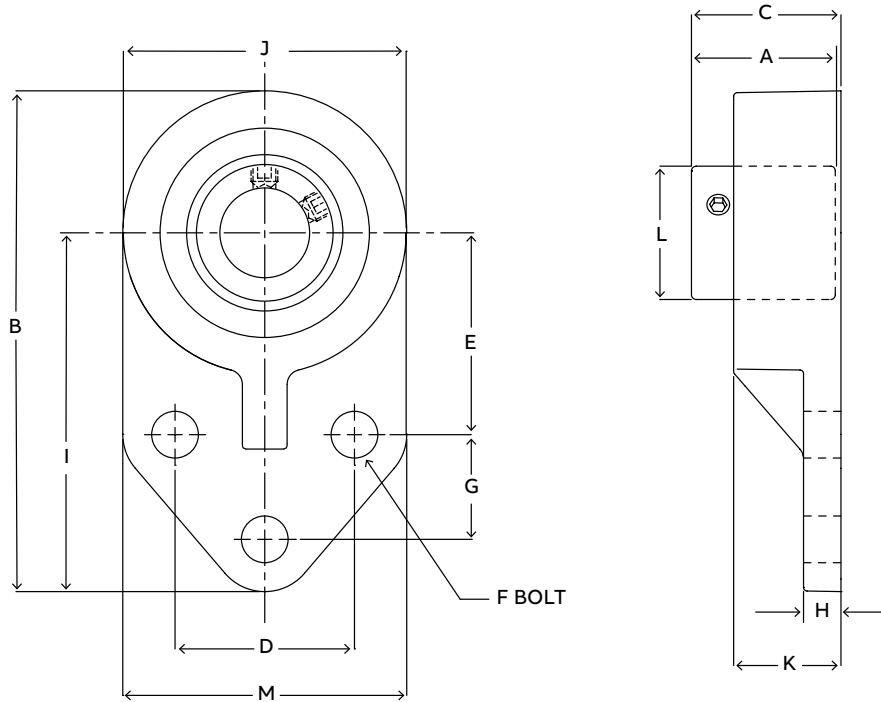
Note: Dimensions are in inches and (mm).



4-bolt flange bearings

Series	Shaft size	Part No.	With Food Safe Insert Description	Weight lbs. (kg)	A	B	C	D	F Bolt Dia.	H	J	L
204	1/2	137494	F4B-SCFS-008L-SHFS	1.08								
	5/8	137495	F4B-SCFS-010L-SHFS	1.08	1.23	3.35	1.25	2.51	3/8	0.34	0.34	1.11
	3/4	137496	F4B-SCFS-012-SHFS	1.08								
	20 mm	137498	F4B-SCFS-20M-SHFS	(0.49)	(31.2)	(85.1)	(31.7)	(63.8)	M10	(8.6)	(8.8)	(28.2)
205	7/8	137499	F4B-SCFS-014-SHFS	1.39								
	15/16	137500	F4B-SCFS-015-SHFS	1.39	1.34	3.75	1.37	2.75	3/8	0.37	0.38	1.32
	1	137501	F4B-SCFS-100-SHFS	1.39								
	25 mm	137502	F4B-SCFS-25M-SHFS	(0.63)	(34.0)	(95.3)	(34.7)	(69.9)	M10	(9.4)	(9.5)	(33.5)
206	1-1/8	137504	F4B-SCFS-102-SHFS	2.09								
	1-3/16	137505	F4B-SCFS-103-SHFS	2.09	1.52	4.16	1.59	3.24	3/8	0.37	0.45	1.57
	1-1/4	137506	F4B-SCFS-104S-SHFS	2.05								
	30 mm	137507	F4B-SCFS-30M-SHFS	(0.95)	(38.6)	(105.7)	(40.4)	(82.3)	M10	(9.4)	(11.4)	(39.9)
207	1-1/4	137508	F4B-SCFS-104-SHFS	2.95								
	1-5/16	137509	F4B-SCFS-105-SHFS	2.95	1.71	4.68	1.76	3.62	1/2	0.42	0.55	1.84
	1-3/8	137510	F4B-SCFS-106-SHFS	2.95								
	35 mm	137512	F4B-SCFS-35M-SHFS	(1.29)	(43.4)	(118.9)	(44.8)	(91.9)	M12	(10.7)	(13.9)	(46.7)
208	1-1/2	137513	F4B-SCFS-108-SHFS	3.70	1.94	5.06	1.97	4.00	1/2	0.43	0.62	2.05
	40 mm	137515	F4B-SCFS-40M-SHFS	(1.64)	(49.3)	(128.5)	(50.1)	(101.6)	M12	(10.9)	(15.7)	(52.1)
210	1-15/16	137520	F4B-SCFS-115-SHFS	4.60	1.94	5.67	1.98	4.37	5/8	0.49	0.62	2.43
	2	137521	F4B-SCFS-200-SHFS	4.56								
	50 mm	137522	F4B-SCFS-50M-SHFS	(2.07)	(49.3)	(144.0)	(50.3)	(111.0)	M16	(12.4)	(15.7)	(61.7)

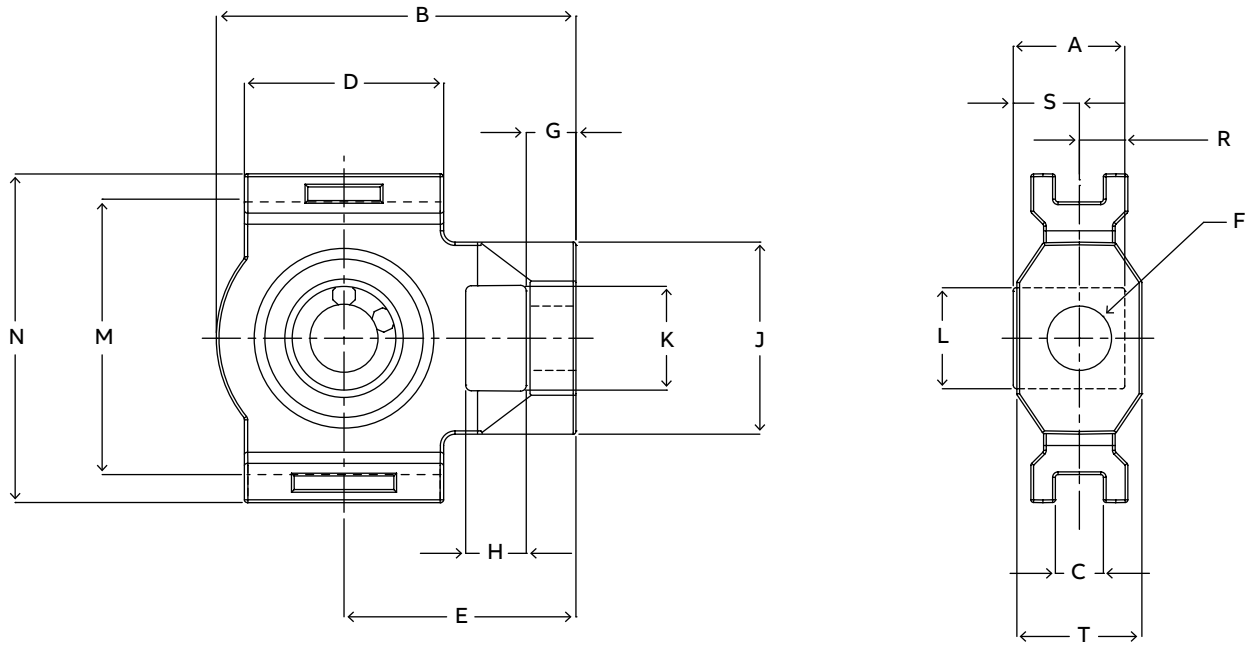
Note: Dimensions are in inches and (mm).



Flange bracket bearings

Series	Shaft size	With Food Safe Insert		Weight lbs. (kg)	A	B	C	D	E	F Bolt Dia.	G	H	I	J	K	L	M
		Part No.	Description														
204	1/2	137523	FB-SCFS-008-SHFS	1.00													
	5/8	137524	FB-SCFS-010-SHFS	1.00	1.23	4.19	1.25	1.50	1.69	3/8	0.88	0.31	3.00	2.38	0.90	1.11	2.38
	3/4	137525	FB-SCFS-012-SHFS	1.00													
	20mm	137527	FB-SCFS-20M-SHFS	(.45)	(31.2)	(106.4)	(31.8)	(38.1)	(42.9)	M10	(22.4)	(7.9)	(76.2)	(60.4)	(22.9)	(28.2)	(60.5)
205	7/8	137528	FB-SCFS-014-SHFS	1.26													
	15/16	137529	FB-SCFS-015-SHFS	1.26	1.34	4.69	1.37	1.63	1.81	3/8	1.13	0.38	3.38	2.62	0.98	1.32	2.50
	1	137530	FB-SCFS-100-SHFS	1.26													
	25mm	137531	FB-SCFS-25M-SHFS	(.52)	(34.0)	(119.1)	(34.7)	(41.4)	(46.0)	M10	(28.7)	(9.7)	(85.9)	(66.4)	(24.9)	(33.5)	(63.5)
206	1-1/8	137533	FB-SCFS-102-SHFS	1.95													
	1-3/16	137534	FB-SCFS-103-SHFS	1.95	1.52	5.31	1.59	1.88	2.06	3/8	1.25	0.38	3.75	3.12	1.14	1.57	2.75
	1-1/4	137535	FB-SCFS-104S-SHFS	1.85													
	30mm	137536	FB-SCFS-30M-SHFS	(.89)	(38.6)	(134.9)	(40.4)	(47.8)	(52.3)	M10	(31.8)	(9.7)	(95.3)	(79.2)	(29.0)	(39.9)	(69.9)
207	1-1/4	137537	FB-SCFS-104-SHFS	2.87													
	1-5/16	137538	FB-SCFS-105-SHFS	2.87													
	1-3/8	137539	FB-SCFS-106-SHFS	2.87	1.71	6.00	1.76	2.00	2.38	1/2	1.25	0.50	4.25	3.12	1.22	1.84	3.25
	1-7/16	137540	FB-SCFS-107-SHFS	2.87													
	35mm	137541	FB-SCFS-35M-SHFS	(1.3)	(43.4)	(152.4)	(44.8)	(50.8)	(60.5)	M12	(31.8)	(12.7)	(108.0)	(88.8)	(31.0)	(46.7)	(82.6)

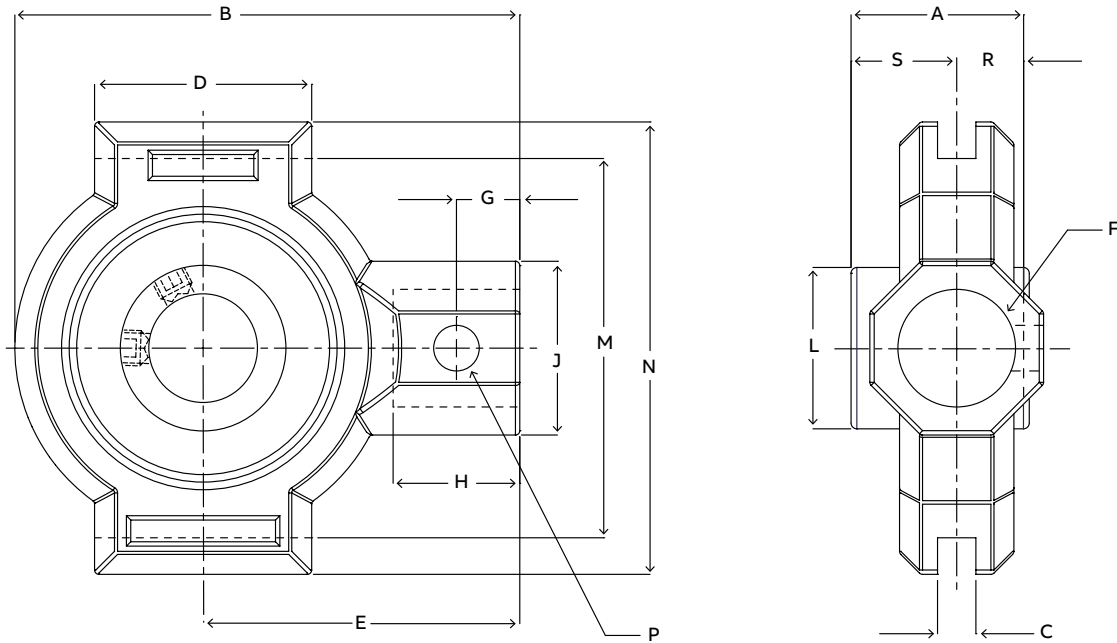
Note: Dimensions are in inches and (mm).



Wide slot take-up bearings

Series	Shaft size	Part No.	With Food Safe Insert Description	Weight lbs. (kg)	Take-Up Frame No. Ref.	A	B	C	D	E	F Bolt Dia	G	H	J	K	L	M	N	R	S	T
204	1/2	137581	WSTU-SCFS-008L-SHFS	2.14	WS300	1.23	3.97	0.530	2.20	2.56	5/8	0.56	0.65	2.12	1.15	1.11	3.025/ 2.995	3.63	0.5	0.73	1.38
	5/8	137582	WSTU-SCFS-010L-SHFS	2.14																	
	3/4	137583	WSTU-SCFS-012-SHFS	2.14																	
205	20mm	137585	WSTU-SCFS-20M-SHFS	(.97)	WS300	1.34	3.97	0.530	2.20	2.56	5/8	0.56	0.65	2.12	1.15	1.32	3.025/ 2.995	3.63	0.56	0.78	1.38
	7/8	137586	WSTU-SCFS-014-SHFS	2.03																	
	15/16	137587	WSTU-SCFS-015-SHFS	2.03																	
206	1	137588	WSTU-SCFS-100-SHFS	2.03	WS308	1.52	4.99	0.530	2.26	3.10	3/4	0.56	0.65	2.43	1.39	1.57	3.540/ 3.510	4.2	0.58	0.94	1.62
	25mm	137589	WSTU-SCFS-25M-SHFS	(.92)																	
	1-1/8	137591	WSTU-SCFS-102-SHFS	3.36																	
207	1-3/16	137592	WSTU-SCFS-103-SHFS	3.36	WS308	1.71	4.99	0.530	2.26	3.10	3/4	0.56	0.65	2.43	1.39	1.84	3.540/ 3.510	4.2	0.67	1.04	1.62
	1-1/4	137593	WSTU-SCFS-104S-SHFS	3.36																	
	30mm	137594	WSTU-SCFS-30M-SHFS	(1.52)																	
208	1-7/16	137598	WSTU-SCFS-107-SHFS	3.21	WS400	1.94	5.63	0.688	3.25	3.50	1	0.63	0.75	2.75	1.94	2.05	4.015/ 3.985	4.5	0.75	1.19	1.62
	1-1/2	137600	WSTU-SCFS-108-SHFS	4.52																	
	40mm	137602	WSTU-SCFS-40M-SHFS	(2.1)																	

Note: Dimensions are in inches and (mm).



Narrow slot take-up bearings

Series	Shaft size	Part No.	With Food Safe Insert Description	Weight lbs. (kg)	Take-Up Frame No. Ref.	A	B	C	D	E	F Bolt Dia	G	H	J	L	M	N	Pin Dia.	R	S
204	1/2	137552	NSTU-SCFS-008L-SHFS	1.16	NS210	1.23	3.49	0.265	1.50	2.19	3/4	0.44	0.88	1.20	1.11	2.635/ 2.605	3.13	0.32	0.5	0.73
	5/8	137553	NSTU-SCFS-010L-SHFS	1.16																
	3/4	137554	NSTU-SCFS-012-SHFS	1.16																
205	20mm	137556	NSTU-SCFS-20M-SHFS	(.53)	NS210	(31.2)	(88.6)	(6.73)	(38.1)	(55.6)	(19.1)	(11.2)	(22.4)	(30.5)	(28.2)	(66.93/ 66.17)	(79.5)	(8.1)	(12.7)	(18.5)
	7/8	137557	NSTU-SCFS-014-SHFS	1.06																
	15/16	137558	NSTU-SCFS-015-SHFS	1.06																
206	1	137559	NSTU-SCFS-100-SHFS	1.06	NS308	1.34	3.49	0.265	1.50	2.19	3/4	0.44	0.88	1.20	1.32	2.635/ 2.605	3.13	0.32	0.56	0.78
	25mm	137560	NSTU-SCFS-25M-SHFS	(.48)																
	1-1/8	137562	NSTU-SCFS-102-SHFS	2.51																
207	1-3/16	137563	NSTU-SCFS-103-SHFS	2.51	NS308	1.52	4.50	0.265	2.50	2.69	3/4	0.50	0.94	1.20	1.57	3.510/ 3.480	4.13	0.32	0.58	0.94
	1-1/4	137564	NSTU-SCFS-104S-SHFS	2.51																
	30mm	137565	NSTU-SCFS-30M-SHFS	(1.14)																
208	1-1/4	137566	NSTU-SCFS-104-SHFS	2.65	NS400	1.71	4.50	0.265	2.50	2.69	3/4	0.50	0.94	1.20	1.84	3.510/ 3.480	4.13	0.32	0.67	1.04
	1-5/16	137567	NSTU-SCFS-105-SHFS	2.65																
	1-3/8	137568	NSTU-SCFS-106-SHFS	2.65																
209	35mm	137570	NSTU-SCFS-35M-SHFS	(1.20)	NS400	(43.4)	(114.3)	(6.73)	(63.5)	(68.3)	(19.1)	(12.7)	(23.9)	(30.5)	(46.7)	(89.15/ 88.39)	(104.9)	(8.1)	(17)	(26.4)
	1-1/2	137571	NSTU-SCFS-108-SHFS	4.08																
	40mm	137573	NSTU-SCFS-40M-SHFS	(1.85)																

Note: Dimensions are in inches and (mm).

Additional information

We reserve the right to make technical changes or modify the contents of this document without prior notice. With regard to purchase orders, the agreed particulars shall prevail. ABB does not accept any responsibility whatsoever for potential errors or possible lack of information in this document.

We reserve all rights in this document and in the subject matter and illustrations contained therein. Any reproduction, disclosure to third parties or utilization of its contents – in whole or in parts – is forbidden without prior written consent of ABB.



ABB Motors and Mechanical Inc.

5711 R.S. Boreham, Jr. Street
Fort Smith, AR 72901
Ph: 1.479.646.4711

Mechanical Power Transmission Support
Ph: 1.864.297.4800

new.abb.com/mechanical-power-transmission