

# VML-X Series



## Hazardous Location Luminaires

Class 1, Division 2, Zone 2



Harsh & Hazardous

**KILLARK**

[www.hubbell-killark.com](http://www.hubbell-killark.com)

# The Next Generation of Human-Centric Lighting is Here

Killark's new, globally certified VML-X series is engineered and manufactured for your safety.

Same mounts as the legacy Killark VM Series for ease of retrofitting

Single point closing with barrel nut, one handed operation for quick and easy installation

Cage clamp terminals with loop in-loop out functionality for faster installation

Separate driver plate for thermal separation for improved driver life

Optional pre-installed optics to provide various optical patterns, illuminating the area where needed

3 unique tank sizes for lumen output optimization, footprint reduction, and heat dissipation

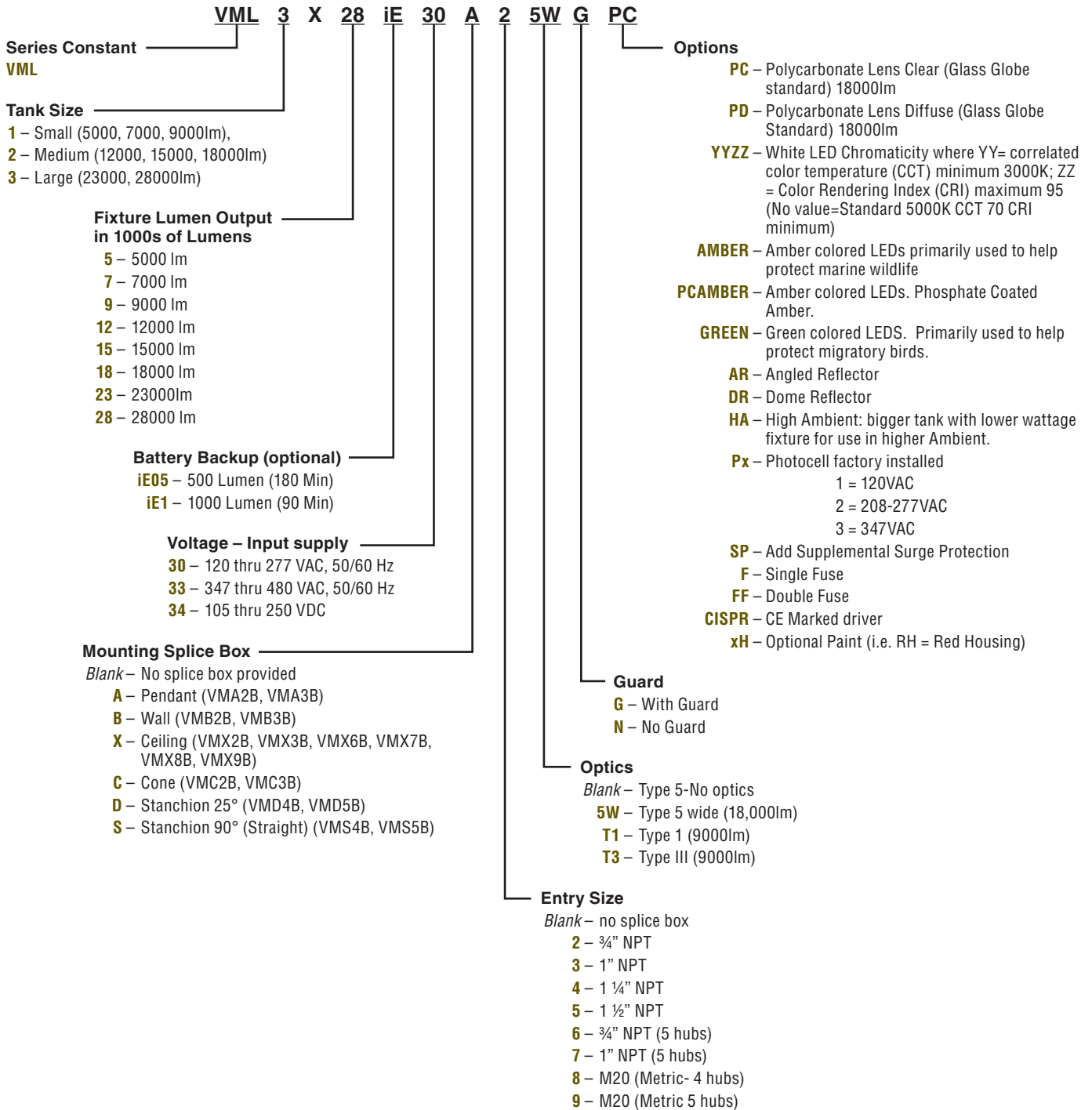
Globe and guard already installed, reducing installation costs

Low profile, improved optical options designed to provide up to 5% Up-Light

Quality products that reliably perform in the most demanding applications

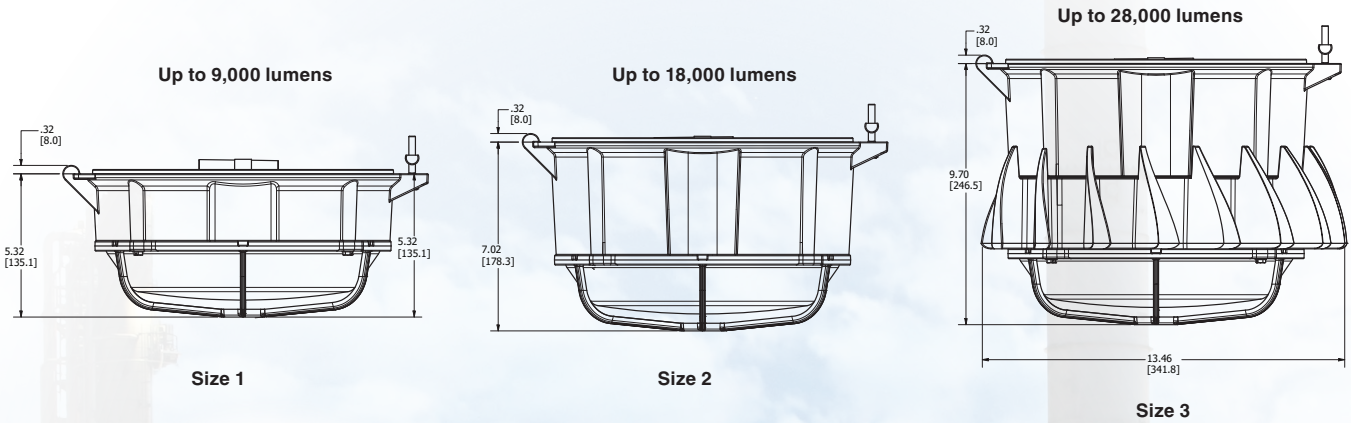
# Identify the VML-X product matching your specification. It's easy!

The complete luminaire catalog number is as follows:





# The Most Expansive Range Of Certified Configurations Available In The Market



Optional self-testing emergency battery backup

## Battery Backup Functionality

- Self-diagnostics monitors LED status, LED driver circuit, battery capacity and charger function and displays any fault detection by means of a flashing code
- Self-Test feature automatically runs a 1 minute test once a month and an alternating 30-60 minute test once every 6 months. LED indicator provides visible fault detection and charging status
- User initiated 1, or 90-minute system test feature
- 15 minute re-transfer delay
- Automatic unit transfer in brown-out conditions (below 80% of nominal AC input voltage)
- 90 or 180 minute run time options

CATALOG NUMBER	DELIVERED LUMENS										
	GLASS GLOBE									POLYCARBONATE	
	5000K 70CRI LEDS	TYPE 5 WIDE OPTIC	TYPE 3 OPTIC	TYPE 1 OPTIC	ANGLED REFLECTOR	DOME REFLECTOR	GREEN LED	AMBER LED	3000K 80CRI LEDS	CLEAR GLOBE	DIFFUSE GLOBE
VML1X5(XX)(YY)	5295	5002	4803	4868	4560	4802	3694	1890	4871	5353	4394
VML1X7(XX)(YY)	7101	6708	6441	6528	6116	6440	4030	—	6532	7179	5893
VML1X9(XX)(YY)	9884	9338	8966	9087	8513	8964	4368	—	9093	9992	8203
VML2X12(XX)(YY)	14046	13305	—	—	12049	12645	7005	2859	12922	14200	11658
VML2X15(XX)(YY)	16359	15496	—	—	14033	14727	7642	—	15050	16538	13577
VML2X18(XX)(YY)	18733	17745	—	—	16070	16865	—	—	17234	18939	15548
VML3X23(XX)(YY)	23090	—	—	—	19807	20787	—	—	21242	—	—
VML3X28(XX)(YY)	28275	—	—	—	24424	25446	—	—	26013	—	—



# When Light Matters, VML-X Is Your Solution

Type I Optic Pattern



## Type I distribution:

- Used near center walkways and other pathways
- Concentration of light projects to the side in two opposite directions

Type III Optic pattern



## Type III distribution:

- Used near one edge of roadways, lots, and other large areas
- Concentration of light projects to the side in two opposite directions as well as to the front

Type V Optic Pattern



## Type V distribution:

- Used in the center of roadways, lots, intersection pathways, and other large areas
- Concentration of light projects evenly to all sides



## White Light:

Warm white lighting (3000K) contains more red, yellow, and orange tones which creates a softer more comfortable atmosphere.

Cooler white light (5000K) has more blue tones which creates a more natural, mid-day white light for better workday production.



## Green Light:

The nighttime sky is increasingly illuminated by artificial light sources.

Many nocturnally migrating birds die or lose a large amount of their energy reserves during migration as a result of encountering artificial light sources. Migratory birds require lighting from the green/blue color spectrum for clearer compass orientation.



## Amber Light:

Research has shown that thousands of sea turtles hatched every year are disoriented by artificial white light.

Long-wavelength lighting such as amber light are less disruptive than white light. Typical site and area lighting causes confusion to hatchlings who rely on moonlight to guide them towards water. Amber LED's help minimize this confusion.

## Eco-friendly:

With a much slimmer profile, up to 3 times the amount of VMLX fixtures can fit onto a single pallet compared to previous VM series helping cut down on shipping materials and storage footprint. The new VMLX also offers up to **3 times** reduced packaging compared to previous VM series eliminating the need for more packing material.



## COMPLEMENTARY PRODUCTS



### The Spartan Hinge

Designed to assist in lowering stanchion poles for retrofitting or servicing lighting fixtures or other pole mounted devices.



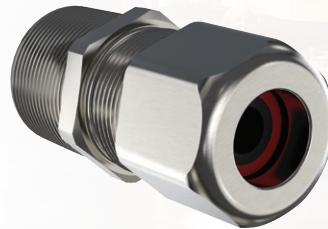
### The Spartan Hinge JB

Equipped with a combination of a device box opening and the spartan hinge cam system for lowering a stanchion pole.



### The Spartan Coupler

Equipped with a device opening capable of mounting various operator and switch covers and aids in pulling and splicing wires.



### The CGB Series

The CGB series offers a REVOLUTIONARY, on the site removeable grommets covering a broader cable range with a single gland!



# KILLARK®

2112 Fenton Logistics Park Blvd.  
Fenton, MO 63026  
TEL: (314) 531-0460  
www.hubbell-killark.com • killarkinfo@hubbell.com

**Hubbell Canada LP**  
870 Brock Road South  
Pickering, Ontario L1W 1Z8  
(905) 839-1138  
infohclp@hubbell-canada.com

**Hubbell Products Mexico**  
Calle 5 Sur No. 105 Col. Parque  
Ind. Toluca 2000  
Toluca Edo. Mex. CP 50200  
Tel: (01 52) 559-151-9999  
info@hubbell.com.mx

**Hubbell® Construction and Energy**  
A Division of Hubbell, Inc.  
HKPR-VMLX 08-22 © Killark, 2022