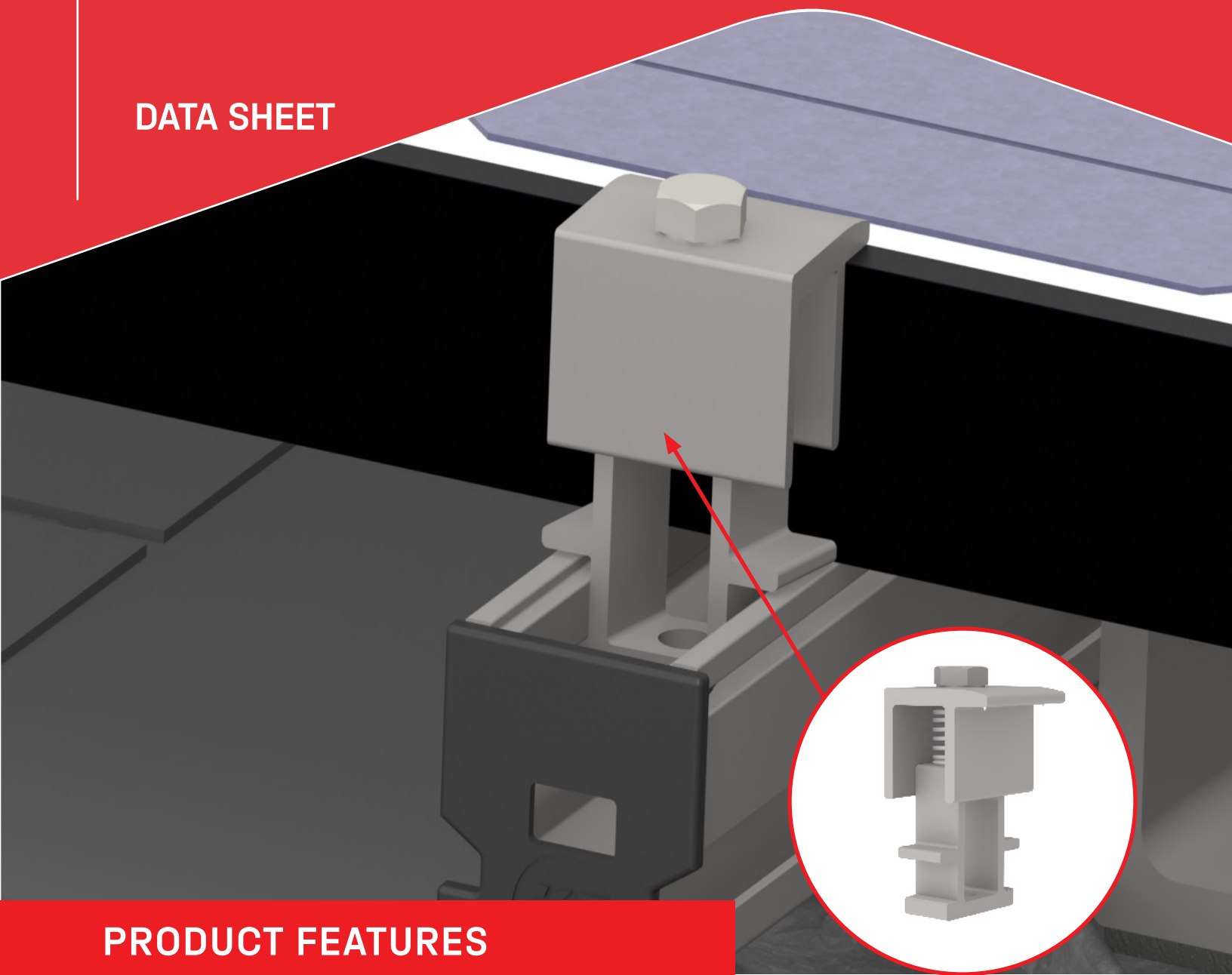


# K2 End Clamp



DATA SHEET



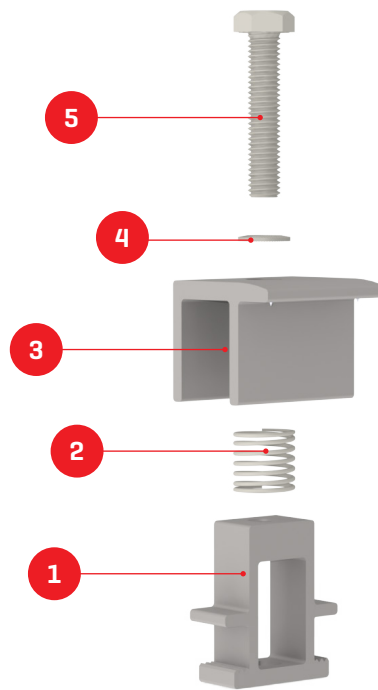
## PRODUCT FEATURES

- / New and improved design
- / One handed and one tool installation
- / Clamp naturally provides module gaps
- / UL listed
- / Self aligns in rail

# TECHNICAL DATA



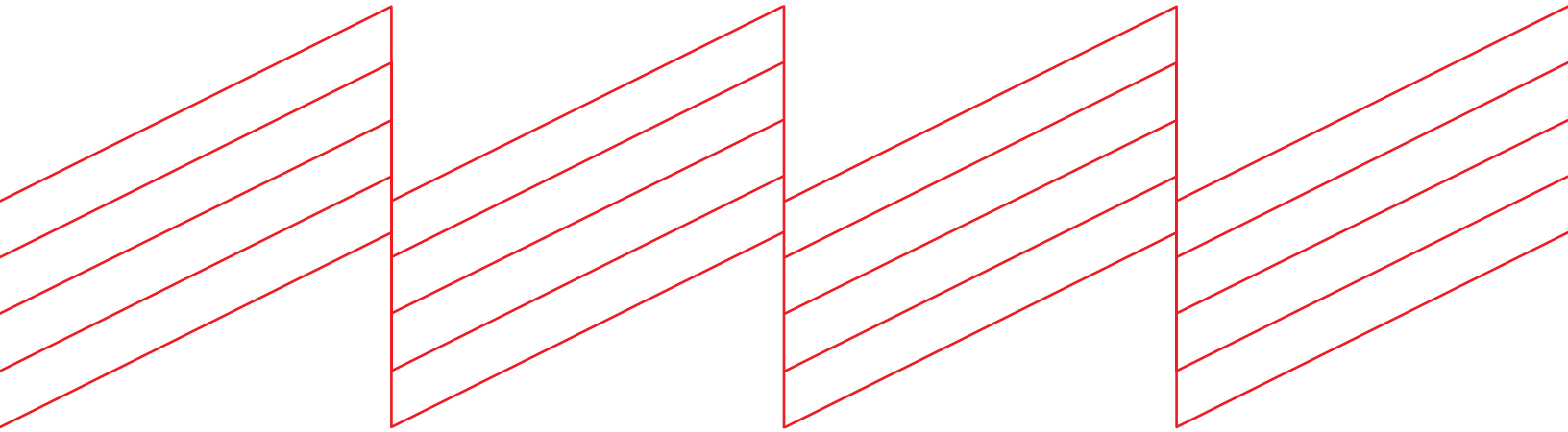
	K2 Mid Clamp
Compatible module frame size	25-40mm
Material	Stainless steel and aluminum
Finish	Mill or dark
Compatibility	CrossRail 44-X, 48-X, 48-XL, 80, MiniRail
Box quantity	20



Item Number	Description	Part Number
1	K2 End Clamp Bottom, Mill	4000197   K2 End Clamp Set, Mill
2	Clamp Springs, 26.0 mm Length	4000233   K2 End Clamp Set, Dark
3	K2 End Clamp Top, Mill	
4	Lock Washer S8 13x8.4x8 mm SS	
5	Hex Head Bolt, M8x40	



# Connecting Strength



## K2 Systems, LLC

4665 North Ave. Suite I • Oceanside, CA 92056 •  
USA +1.760.301.5300 • [infous@k2-systems.com](mailto:infous@k2-systems.com)  
[www.k2-systems.com](http://www.k2-systems.com)

K2 End Clamp Data Sheet V1 | 0523 • Subject to change  
Product illustrations are exemplary and may differ from the original.