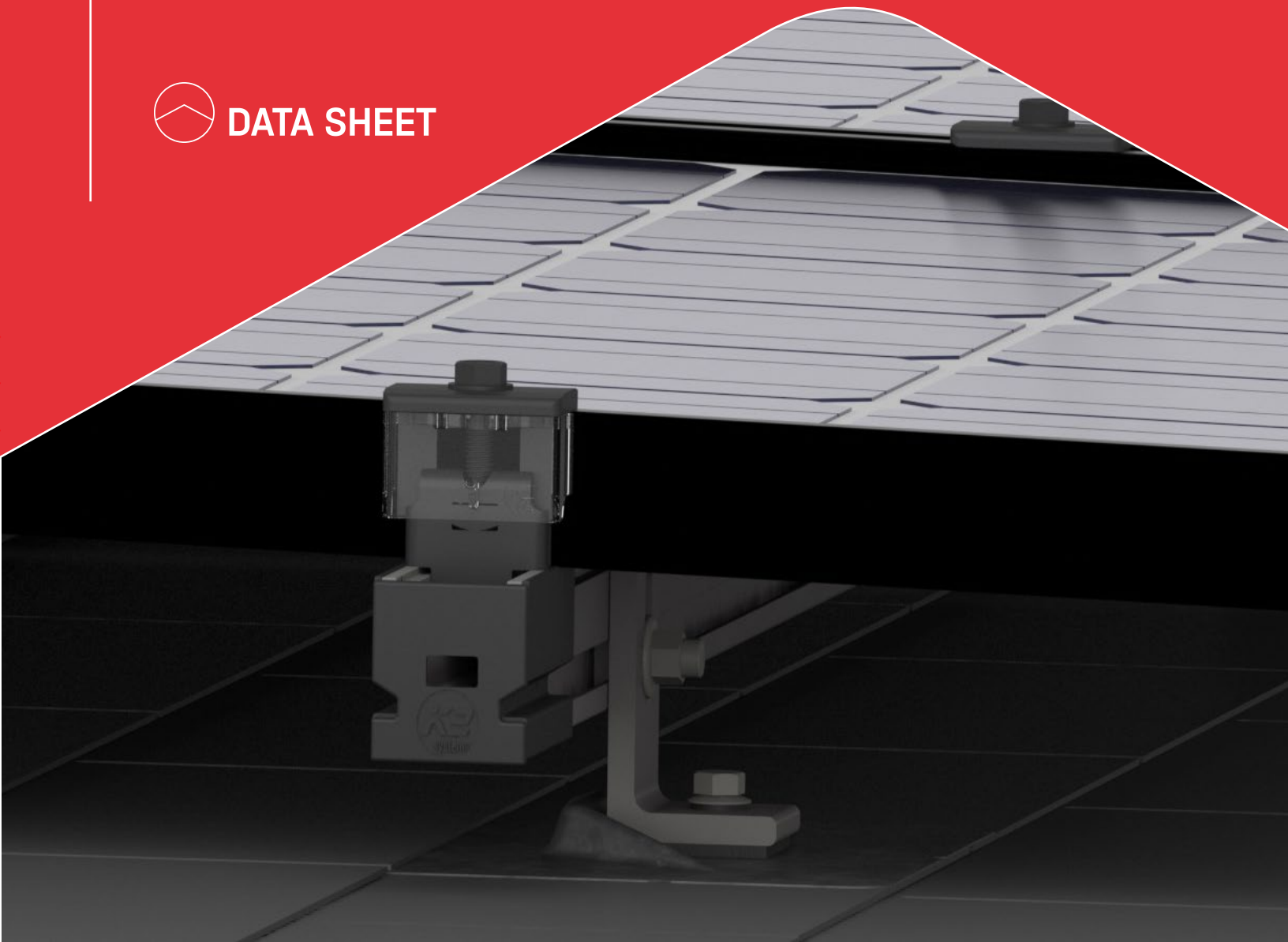


K2 Cross Clamp



DATA SHEET



PRODUCT FEATURES

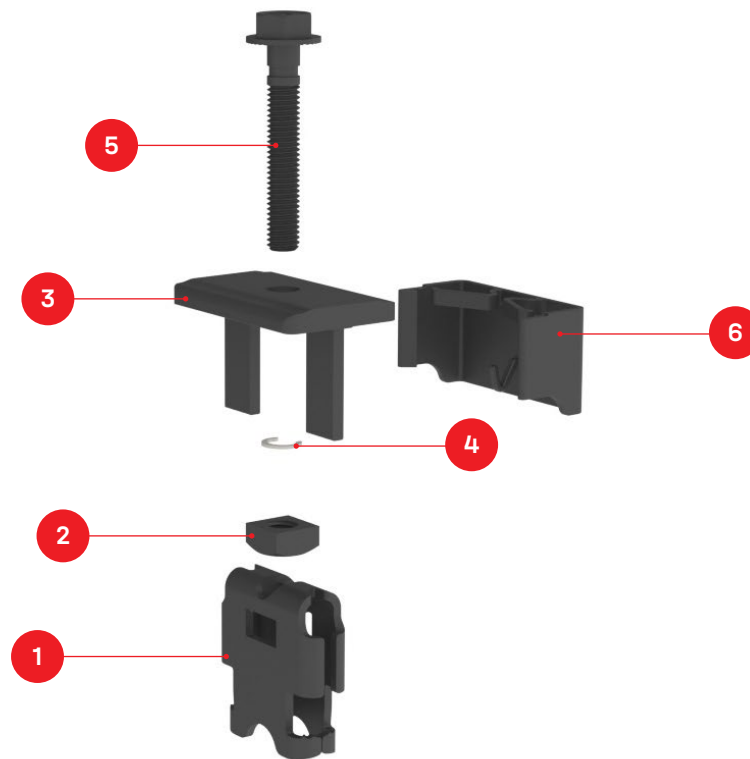


- / New and improved design
- / One handed and one tool installation
- / Mid and End Clamp functionality
- / Module frame compatibility of 30mm-45mm
- / 0.5" for inter-module gap

TECHNICAL DATA



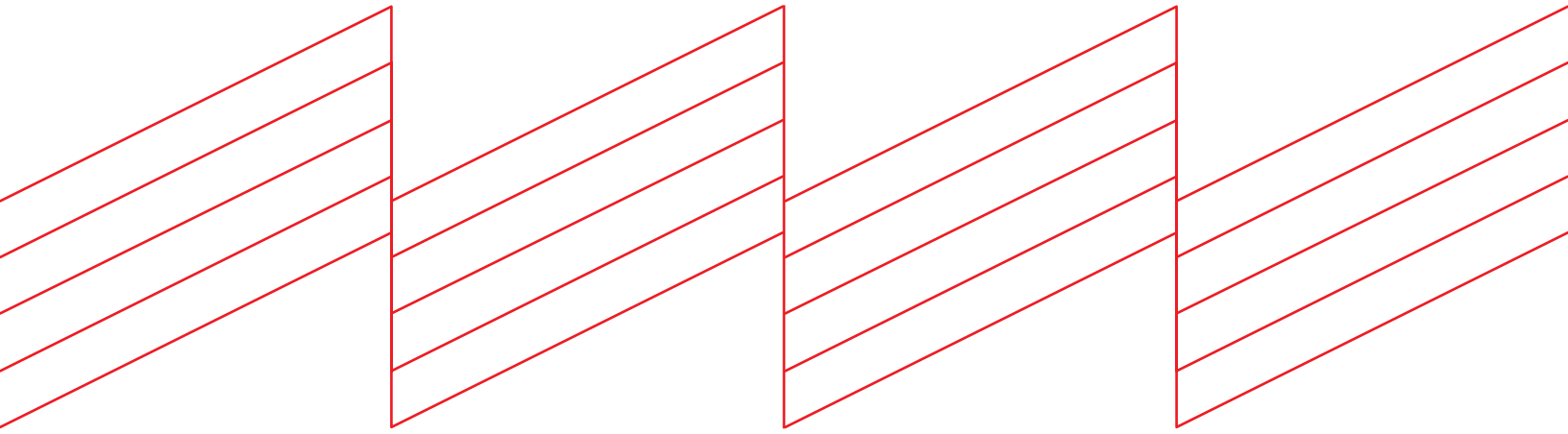
	K2 Cross Clamp
Part Number(s)	4000135 (Mill), 4000145 (Dark)
Finish	Mill or Dark
Material	600 Series Aluminum and 304 Stainless Steel
Compatibility	CR 44X, 48X, 48XL, 80
Box Quantity	20



Item Number	Description	Part Number
1	K2 Cross Clamp M-E Base, Dark	4000135 K2 Cross Clamp Set, Mill 4000145 K2 Cross Clamp Set, Dark
2	M8x1.25, Square Nut SS	
3	K2 Cross Clamp M-E Top 50mm	
4	Clearance External Retaining Ring	
5	Hex Head Bolt Serrated, M8x50mm	
6	K2 Cross Cap	4000312 K2 Cross Cap



Connecting Strength



K2 Systems, LLC

4665 North Ave. Suite I • Oceanside, CA 92056 •
USA +1.760.301.5300 • infous@k2-systems.com
www.k2-systems.com

K2 Cross Clamp Data Sheet V1 |1123 • Subject to change
Product illustrations are exemplary and may differ from the original.