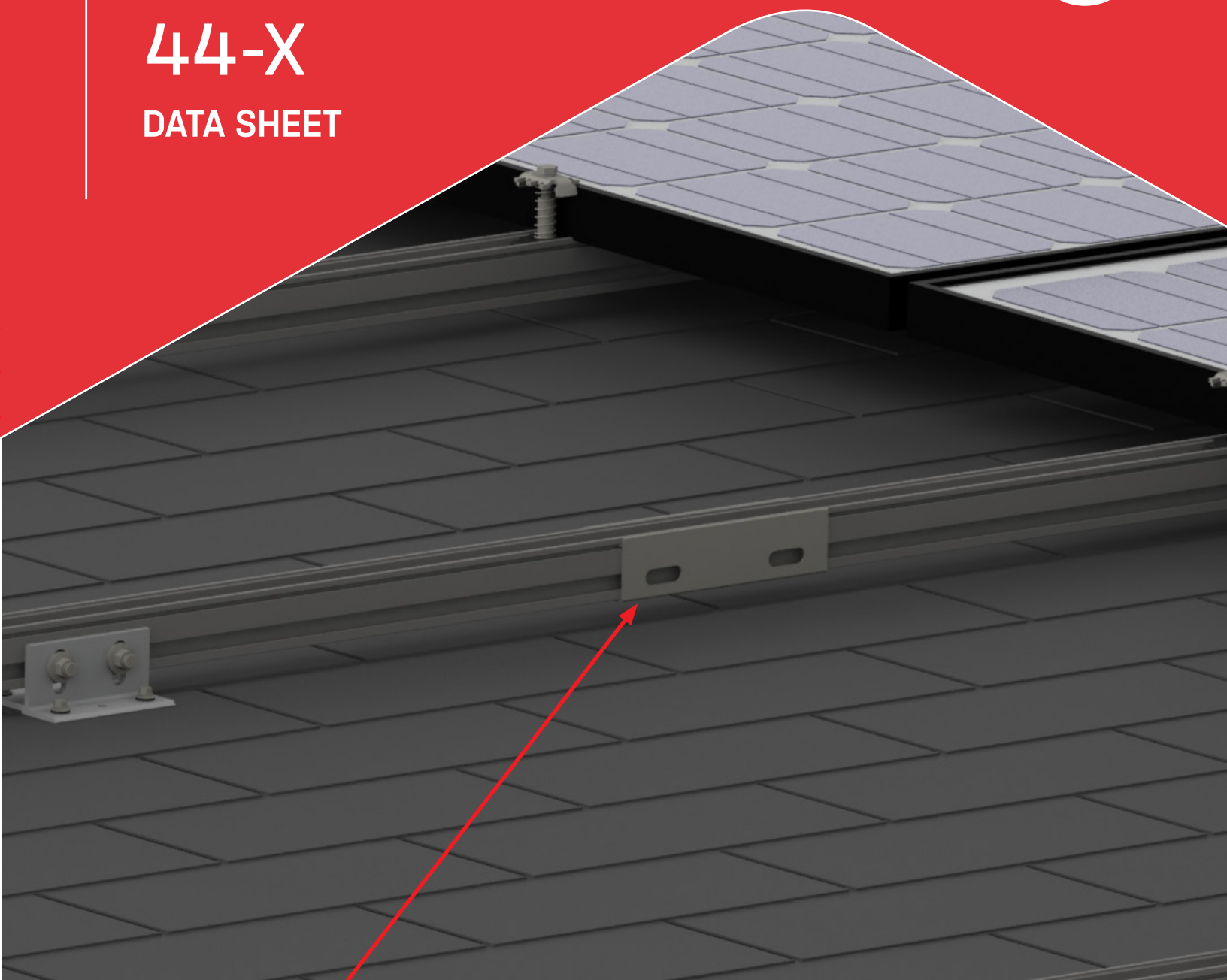


Tool-less Rail Connector



44-X

DATA SHEET



Tool-less Rail Connector, 44-X

- / Simply slide in rails
- / Available in mill and dark

PRODUCT FEATURES



- / Simple slide in technology
- / Compatible with any system using CrossRail 44-X rails
- / Optional T-Bolt holes available
- / Integrated Bonding UL 2703

TECHNICAL DATA

	Tool-less Rail Connector, 44-X
Part Number(s)	4000051 (Mill) , 4000052 (Dark)
Material	Stainless steel 304 1/2 H (clip), Aluminum 6063-T6 (connector)
Compatibility	Any CrossRail System using 44-X rail
Certifications	UL E467724
Warranty	25 years

Components



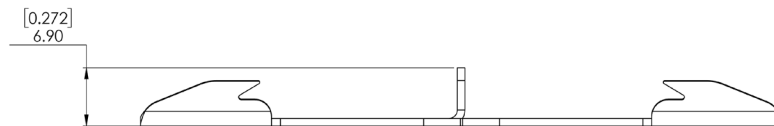
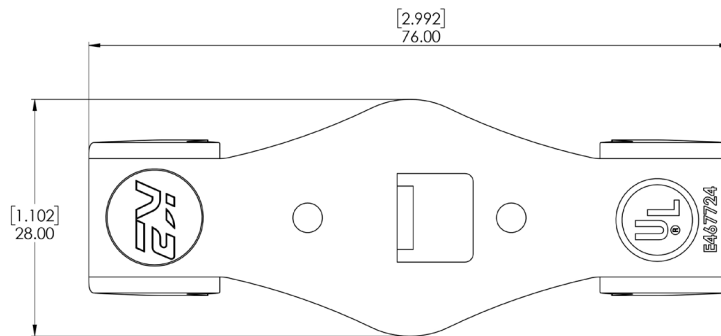
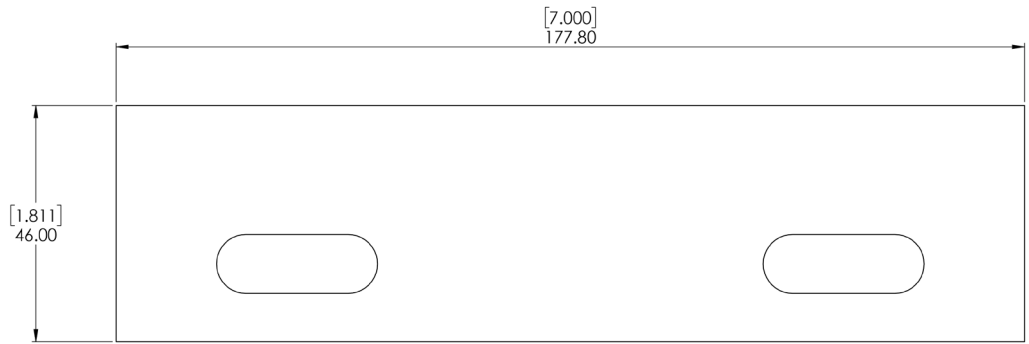
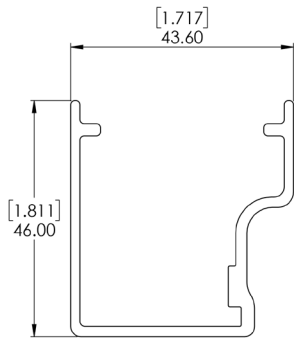
Tool-less Rail Connector, 44-X

Part Number	Description
4000051-T	Tool-less Rail Connector 44-X, Set, Mill
4000052-T	Tool-less Rail Connector 44-X, Set, Dark

DIMENSIONS

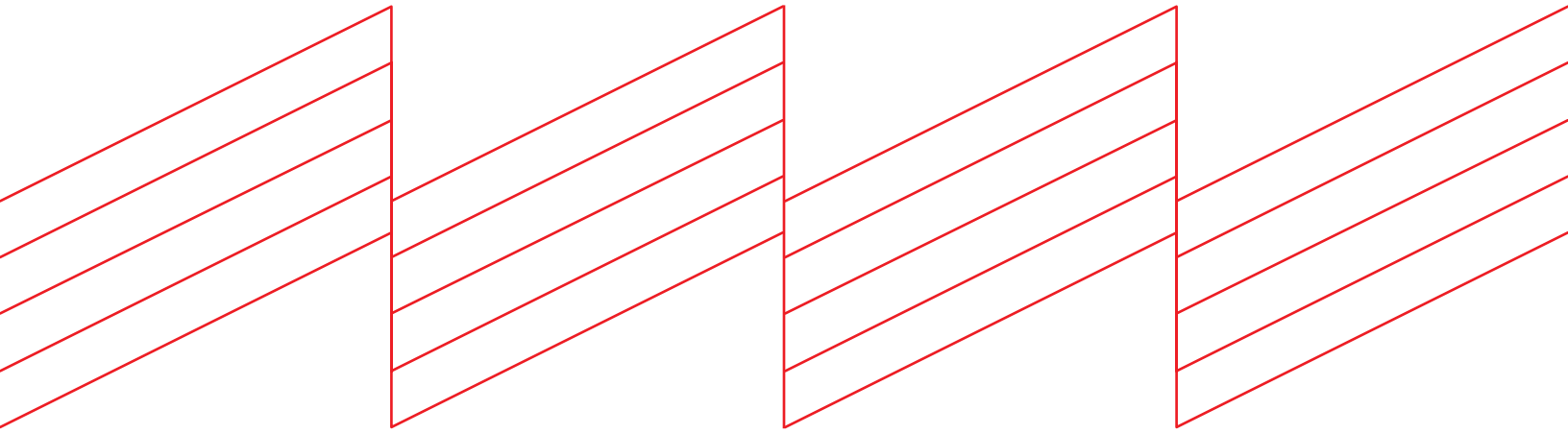


Units: [in] mm





Connecting Strength



K2 Systems, LLC

4665 North Ave. Suite I • Oceanside, CA 92056 •
USA +1.760.301.5300 • infous@k2-systems.com
www.k2-systems.com

Tool-less Rail Connector, 44-X Data Sheet V1 | 0323 • Subject to change
Product illustrations are exemplary and may differ from the original.