



## PRODUCT CATALOG

### FLASHLOC™ DUO



Unirac's newest all-in-one attachment  
See p. 4

PUB2021MAY24

# INTRODUCTION



**UNIRAC, Inc** is the leading provider of mounting systems and accessories for residential and commercial solar PV. We're your experienced partner with innovative products and services to make sure your projects are installed as quickly, safely, and beautifully as possible, plus the industry's best customer support, including system design, engineering, permitting, and full system warranty. **Better Solar Starts Here.**



## TABLE OF CONTENTS

### PITCHED ROOF

#### **SOLARMOUNT | RAIL-BASED MOUNTING SYSTEM**

SOLARMOUNT PRO Series/Universal Mid and EndClamps	Page 1
SOLARMOUNT Rail, Rail Splice, L-Foot	Page 2- 3
Roof Flashings and Attachments	Page 4 - 6
Grounding, Bonding, Wire Management Accessories	Page 7
Optional Front Trim and Tilt Legs	Page 7
Optional Top Mounting Hardware	Page 8

#### **SFM INFINITY | RAIL-LESS MOUNTING SYSTEM**

System Components	Page 9 - 10
-------------------	-------------

#### **METALX | METAL ROOFS MOUNTING SYSTEM**

System Components	Page 11-12
-------------------	------------

### FLAT ROOF

#### **RM5 | SOUTH FACING 5 DEGREE TILT MOUNTING SYSTEM**

System Components	Page 13
-------------------	---------

#### **RM10 | SOUTH FACING 10 DEGREE TILT MOUNTING SYSTEM**

System Components	Page 14
-------------------	---------

#### **RMDT | 8 DEGREE EAST-WEST TILT MOUNTING SYSTEM**

System Components	Page 15
-------------------	---------

#### **ECOFOOT5D | HIGH DENSITY 5 DEGREE MOUNTING SYSTEM**

System Components	Page 16
-------------------	---------

#### **ECOFOOT2+ | UNIVERSAL BALLASTED MOUNTING SYSTEM**

System Components	Page 17
-------------------	---------

#### **GRIDFLEX™ | BUILT FOR SPEED FLAT ROOF SYSTEM**

System Components	Page 18
-------------------	---------

### GROUND MOUNT

#### **GROUND FIXED TILT (GFT) | SHARED RAIL GROUND MOUNT SYSTEM**

System Components	Page 19
-------------------	---------

#### **UNIRAC LARGE ARRAY | SOLARMOUNT-BASED GROUND MOUNT SYSTEM**

System Components	Page 20
-------------------	---------

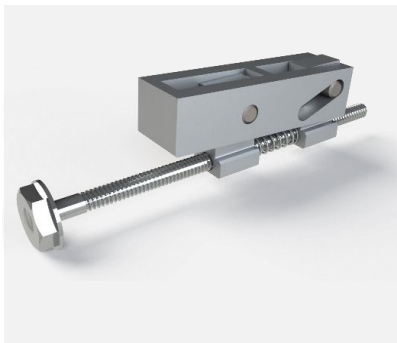
### ELECTRICAL BALANCE OF SYSTEMS

E-BOSS Electrical Accessories	Page 21
-------------------------------	---------



**PRO SERIES MIDCLAMP**

SOLARMOUNT is the professionals' choice for residential PV mounting applications. The system is designed for superior aesthetics and an easier, faster installation experience, including fewer SKUs, preassembled components, and integrated bonding. SOLARMOUNT is a complete solution with revolutionary universal clamps, FLASHKIT PRO, full system UL 2703 certification and 25-year warranty. Not only is SOLARMOUNT easy to install, but best-in-class aesthetics make it the most attractive on any block!



**PRO SERIES ENDCLAMP**

[LEARN MORE / GET INFORMATION SOLARMOUNT \(SM\) PRODUCT PAGE](#)

**LAYOUT YOUR PROJECT IN SECONDS**  
GET A SM QUOTE / BOM WITH U-BUILDER

**WHERE TO BUY**  
CLICK HERE TO FIND A UNIRAC DISTRIBUTOR

KEY	
SYMBOL	DESCRIPTION
CLR	= CLEAR ANODIZED
DRK	= DARK BRONZE ANODIZED (BLACK)
MILL	= MILL FINISH ALUMINUM

## SOLARMOUNT PRO SERIES UNIVERSAL COMPONENTS ARE THE HEART OF THE SYSTEM

### SOLARMOUNT PRO SERIES UNIVERSAL MIDCLAMPS

ONE TOOL, ONE PERSON INSTALLS ARE HERE!  
UNIVERSAL, SELF-STANDING MIDCLAMP WITH RECESSED HARDWARE PROVIDES THE CLEAN SOLARMOUNT LOOK VALUED BY HOMEOWNERS. UL2703 INTEGRATED BONDING. NO ANTI-SEIZE NEEDED: PROPRIETARY COATING PREVENTS GALLING.

P/N	DESCRIPTION	PACK SIZE	SHIP WT. LBS
302030D	SM MIDCLAMP PRO DRK	20	2.20
302030M	SM MIDCLAMP PRO MILL	20	2.20

① FITS 30mm-51mm MODULE THICKNESS

### SOLARMOUNT PRO SERIES UNIVERSAL ENDCLAMPS

REVOLUTIONARY CONCEALED DESIGN CREATES SUPERIOR AESTHETICS. UNIVERSAL CLAMP SECURES MODULE RETURN FLANGE AND ELIMINATES SKUS. EASY TO ACCESS BOLT HEAD MAKES INSTALLATION EASY. END CAP INCLUDED WITH EVERY ENDCLAMP.

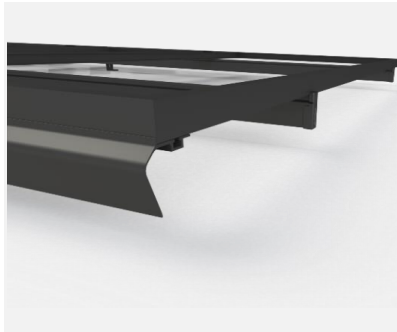
P/N	DESCRIPTION	PACK SIZE	SHIP WT. LBS
302035M	SM ENDCLAMP PRO W/END CAP	4	0.60

② SECURES MODULE FRAME RETURN FLANGE

### SOLARMOUNT UNIVERSAL MIDCLAMPS AND ENDCLAMPS

THE UNIVERSAL AESTHETIC FASTENER (UNIVERSAL AF) ACCOMMODATES EVERY MODULE BETWEEN 30 AND 46 MM WITHOUT EXTRA SPACERS, WHILE PROVIDING THE FAST-INTUITIVE INSTALL EXPERIENCE THAT INSTALLERS REQUIRE, AND A REFINED AESTHETIC HOME OWNERS WILL LOVE.

P/N	DESCRIPTION	PACK SIZE	SHIP WT. LBS
302045D	UNIVERSAL AF MID CLAMP DRK	20	2.20
302045M	UNIVERSAL AF MID CLAMP MILL	20	2.20
302050D	UNIVERSAL AF END CLAMP DRK	20	2.95
302050M	UNIVERSAL AF END CLAMP MILL	20	2.95



## LIGHT RAIL

### SOLARMOUNT LIGHT RAILS - DISTRIBUTOR PACK

P/N	DESCRIPTION	PACK SIZE	SHIP WT. LBS
315168M	SM LIGHT RAIL 168" MILL	144	991.00
315168D	SM LIGHT RAIL 168" DRK	144	991.00
315208M	SM LIGHT RAIL 208" MILL	144	1226.61
315208D	SM LIGHT RAIL 208" DRK	144	1226.61
315246M	SM LIGHT RAIL 246" MILL	144	1452.00
315246D	SM LIGHT RAIL 246" DRK	144	1452.00

3 NOT COMPATIBLE WITH SOLARMOUNT BOTTOM CLIPS

### LEARN MORE / GET INFORMATION

[SOLARMOUNT \(SM\) PRODUCT PAGE](#)

### LAYOUT YOUR PROJECT IN SECONDS

[GET A SM QUOTE / BOM WITH U-BUILDER](#)

### WHERE TO BUY

[CLICK HERE TO FIND A UNIRAC DISTRIBUTOR](#)

## STANDARD RAIL

### SOLARMOUNT STANDARD RAILS - DISTRIBUTOR PACK

P/N	DESCRIPTION	PACK SIZE	SHIP WT. LBS
320132M	SM RAIL 132" MILL	144	1188.00
310132C	SM RAIL 132" CLR	144	1188.00
320168M	SM RAIL 168" MILL	144	1512.00
310168C	SM RAIL 168" CLR	144	1512.00
310168D	SM RAIL 168" DRK	144	1512.00
320208M	SM RAIL 208" MILL	144	1872.00
310208C	SM RAIL 208" CLR	144	1872.00
320246M	SM RAIL 246" MILL	144	2214.00
310246C	SM RAIL 246" CLR	144	2214.00
310246D	SM RAIL 246" DRK	144	2214.00

3 NOT COMPATIBLE WITH SOLARMOUNT BOTTOM CLIPS

### SOLARMOUNT STANDARD RAILS - PRO-PAK BUNDLE OF 8 RAILS

P/N	DESCRIPTION	PACK SIZE	SHIP WT. LBS
320132M-B	SM RAIL 132" MILL 8PK	8	66.00
310132C-B	SM RAIL 132" CLR 8PK	8	66.00
320168M-B	SM RAIL 168" MILL 8PK	8	84.00
310168C-B	SM RAIL 168" CLR 8PK	8	84.00
310168D-B	SM RAIL 168" DRK 8PK	8	84.00
320208M-B	SM RAIL 208" MILL 8PK	8	104.00
310208C-B	SM RAIL 208" CLR 8PK	8	104.00
320246M-B	SM RAIL 246" MILL 8PK	8	123.00

3 NOT COMPATIBLE WITH SOLARMOUNT BOTTOM CLIPS

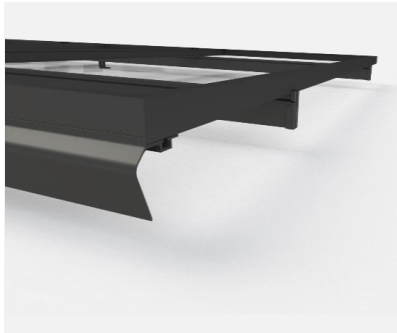
#### KEY

##### SYMBOL DESCRIPTION

CLR = CLEAR ANODIZED

DRK = DARK BRONZE ANODIZED (BLACK)

MILL = MILL FINISH ALUMINUM



[LEARN MORE / GET INFORMATION](#)  
SOLARMOUNT (SM) PRODUCT PAGE

[LAYOUT YOUR PROJECT IN SECONDS](#)  
GET A SM QUOTE / BOM WITH U-BUILDER

[WHERE TO BUY](#)  
CLICK HERE TO FIND A UNIRAC DISTRIBUTOR

#### KEY

##### SYMBOL DESCRIPTION

CLR	= CLEAR ANODIZED
DRK	= DARK BRONZE ANODIZED (BLACK)
MILL	= MILL FINISH ALUMINUM
UV	= UV RESISTANT PLASTIC BLACK

### HEAVY DUTY RAIL

#### SOLARMOUNT HEAVY DUTY (SMHD) RAILS - SPECIAL ORDER

P/N	DESCRIPTION	PACK SIZE	SHIP WT. LBS
410144M	SMHD, RAIL 144" MILL	1	15.00
410168M	SMHD, RAIL 168" MILL	1	17.00
410204M	SMHD RAIL 204" MILL	1	20.00
410246M	SMHD, RAIL 246" MILL	1	26.00

#### SOLARMOUNT BOTTOM MOUNTING CLIPS (USE w/ SMHD RAIL ONLY)

P/N	DESCRIPTION	PACK SIZE	SHIP WT. LBS
302000C	SMHD BOTTOM CLIPS W/HDW, CLR	20	2.00

④ COMPATIBLE WITH SOLARMOUNT HEAVY DUTY (SMHD) RAIL ONLY

### SYSTEM COMPONENTS

#### SOLARMOUNT OPTIMIZED L-FEET & INTEGRATED BONDING SPLICE BARS

P/N	DESCRIPTION	PACK SIZE	SHIP WT. LBS
⑤ 303019M	BND SPLICE BAR PRO SERIES MILL	20	9.00
⑤ 303019D	BND SPLICE BAR PRO SERIES DRK	20	9.00
304001C	L-FOOT SERR W/ T-BOLT, CLR	20	5.00
304001D	L-FOOT SERR W/ T-BOLT, DRK	20	5.00

⑤ REQUIRED FOR INTEGRATED BONDING OF SOLARMOUNT SYSTEM

#### SPARE HARDWARE FOR SPLICE BAR & L-FOOT

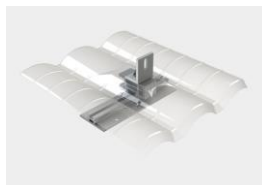
P/N	DESCRIPTION	PACK SIZE	SHIP WT. LBS
009010S	SPLICE TEK SCRW #12-14X3/4" SS	80	1.00
009020S	BND T-BOLT&NUT 3/8" X 3/4" SS	20	1.00
009021S	BND T-BOLT&NUT 3/8" X 1" SS	20	1.00



**FLASHKIT PRO**  
COMPLETE ATTACHMENT SOLUTION FOR COMP. SHINGLE ROOFS



**FLASHLOC COMP**  
COMPLETE ATTACHMENT SOLUTION FOR COMP. SHINGLE AND ROLLED COMP. ROOFS



**FLASHKIT TR**  
COMPLETE TILE REPLACEMENT SOLUTION FOR TILE ROOFS

**WHERE TO BUY**

[CLICK HERE TO FIND A UNIRAC DISTRIBUTOR](#)

**KEY**

**SYMBOL DESCRIPTION**

CLR	= CLEAR ANODIZED
DRK	= DARK BRONZE ANODIZED (BLACK)
MILL	= MILL FINISH ALUMINUM
AL	= ALUMINUM
STL	= ZINC PLATED STEEL

**FLASHKIT PRO**

**FLASHINGS - COMPLETE COMP. SHINGLE ROOF ATTACHMENT SOLUTION**

A TRUSTED WATER SEAL FOR COMPOSITION SHINGLE ROOFS FEATURING UNIRAC'S PATENTED SHED & SEAL TECHNOLOGY FOR THE ULTIMATE PROTECTION AGAINST LEAKS. EVERYTHING YOU NEED FOR A QUICK, PROFESSIONAL INSTALLATION: PACKED IN 10-PACKS FOR MAXIMUM CONVENIENCE. BACKED BY UNIRAC'S 25-YEAR FULL-SYSTEM WARRANTY.

P/N	DESCRIPTION	PACK SIZE	SHIP WT. LBS
004055M	FLASHKIT PRO, MILL 10 PK	10	7.35
004055D	FLASHKIT PRO, DRK 10 PK	10	7.35
004015D	SOLARMOUNT FLASHKIT PRO SB, DARK	10	5.50
004015M	SOLARMOUNT FLASHKIT PRO SB, MILL	10	5.50

6 INCLUDES FLASHINGS, CONTINUOUS SLOT L-FEET, LAGS, RAIL HDW

**FLASHLOC COMP**

**(NEW) THE ULTIMATE ATTACHMENT FOR COMP. ROOFS**

THE ULTIMATE ATTACHMENT FOR COMP SHINGLE AND ROLLED COMP ROOFS. THE ALL-IN-ONE MOUNT INSTALLS FAST AND IS KITTED WITH LAG BOLTS OR SCREWS, SEALANT, AND HARDWARE FOR MAXIMUM CONVENIENCE. FEATURES TRIPLE SEAL TECHNOLOGY AND IS BACKED BY UNIRAC'S 25-YEAR FULL-SYSTEM WARRANTY.

P/N	DESCRIPTION	PACK SIZE	SHIP WT. LBS
004085M	FLASHLOC COMP KIT MILL	20	11.00
004085D	FLASHLOC COMP KIT DRK	20	11.00
004275M	FLASHLOC DUO MILL	20	10.00
004275D	FLASHLOC DUO DARK	20	10.00
003250W	#12-14 X 2.50 SCREW HDW SS SD	60	1.30

6 INCLUDES SEALANT, CONTINUOUS SLOT MOUNT, LAGS, RAIL HDW

**FLASHKIT TR**

**FLASHINGS - COMPLETE TILE REPLACEMENT SOLUTION**

FLASHKIT TR IS THE COMPLETE TILE REPLACEMENT SOLUTION FOR TILE ROOFS. THE UNIVERSAL BASE INTEGRATES WITH A SELECTION OF THREE FLASHING SHAPES AND THREE FLASHING COLORS TO MATCH YOUR TILE ROOF, WHILE UNIRAC'S PATENTED WATER SEAL TECHNOLOGY PROVIDES THE ULTIMATE PROTECTION AGAINST LEAKS. BACKED BY UNIRAC'S 25-YEAR FULL-SYSTEM WARRANTY AND KITTED IN 10-PACKS FOR MAXIMUM CONVENIENCE.

P/N	DESCRIPTION	PACK SIZE	SHIP WT. LBS
004TRFA	FLASHKIT TR FLAT-TILE ADOBE	10	30.00
004TRFD	FLASHKIT TR FLAT-TILE CHARCOAL	10	30.00
004TRFM	FLASHKIT TR FLAT-TILE MILL	10	30.00
004TRSA	FLASHKIT TR SPAN-TILE ADOBE	10	31.00
004TRSD	FLASHKIT TR SPAN-TILE CHARCOAL	10	31.00
004TRSM	FLASHKIT TR SPAN-TILE MILL	10	31.00
004TRWA	FLASHKIT TR W-TILE ADOBE	10	31.00
004TRWD	FLASHKIT TR W-TILE CHARCOAL	10	31.00
004TRWM	FLASHKIT TR W-TILE MILL	10	31.00
004TRSF	FLASHKIT TR UNIV SUB-FLASHING	50	10.00

7 INCLUDES BASE PLATE, TIERED RISER, RISER BOLT, TILE REPLACEMENT, CONTINUOUS SLOT L-FEET, LAGS, RAIL HDW

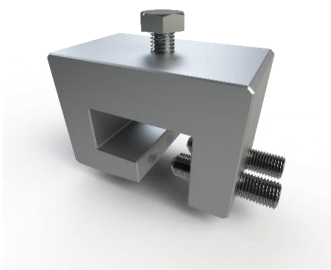


## (NEW) Pro Series SOLARHOOKS

UP TO 60% STRONGER THAN STANDARD TILE HOOKS

### WHERE TO BUY

[CLICK HERE TO FIND A UNIRAC DISTRIBUTOR](#)



### KEY

#### SYMBOL DESCRIPTION

CLR	= CLEAR ANODIZED
DRK	= DARK BRONZE ANODIZED (BLACK)
MILL	= MILL FINISH ALUMINUM
AL	= ALUMINUM
STL	= ZINC PLATED STEEL

## TILE ROOF HOOKS

### (NEW) UNIVERSAL TILE ROOF SOLARHOOKS (LAG BOLTS INCLUDED)

P/N	DESCRIPTION	PACK SIZE	SHIP WT. LBS
004CT5H	SOLARHOOK UNIV SIDE MT CT5	30	46.00

⑧ P/N 009020S BND T-BOLT & NUT ATTACHES SIDEMOUNT HOOK TO RAIL; NO L-FOOT NEEDED

### (NEW) SPANISH TILE ROOF SOLARHOOKS (LAG BOLTS INCLUDED)

P/N	DESCRIPTION	PACK SIZE	SHIP WT. LBS
004CT1H	SOLARHOOK SPANISH 7" BASE	20	26.00
004CT2H	SOLARHOOK SPANISH 9" BASE	20	30.00
004FLAT	SOLARHOOK FLASHING FLAT	30	16.50
004FLCT	SOLARHOOK FLASHING SPANISH FLCT	30	16.50

⑧ P/N 009020S BND T-BOLT & NUT ATTACHES SIDEMOUNT HOOK TO RAIL; NO L-FOOT NEEDED

### (NEW) FLAT TILE ROOF SOLARHOOKS (LAG BOLTS INCLUDED)

P/N	DESCRIPTION	PACK SIZE	SHIP WT. LBS
004AT1H	SOLARHOOK FLAT TILE	30	32.00
004ST1S	SOLARHOOK STONE COATED MT ST1	30	55.00
004AST1	SOLARHOOK ADJ STONE COATED ST1	30	32.00

⑧ P/N 009020S BND T-BOLT & NUT ATTACHES SIDEMOUNT HOOK TO RAIL; NO L-FOOT NEEDED

## COMPONENTS FOR USE WITH SOLARHOOKS

P/N	DESCRIPTION	PACK SIZE	SHIP WT. LBS
035014C	HDW LAG BOLT, 1/4 X 3-1/2 SS	60	2.50

## METAL ROOF ATTACHMENTS

### STANDING SEAM AND R-PANEL ATTACHMENTS (HARDWARE INCLUDED)

P/N	DESCRIPTION	PACK SIZE	SHIP WT. LBS
004130M	STANDING SEAM CLAMP, MINI 1SS	50	25.00
004131M	STANDING SEAM CLAMP, STAND 2SS	50	28.00
004132M	STANDING SEAM CLAMP, WIDE 2SS	50	30.00
004257M	R-PANEL METAL ROOF MNT, 9000-S	50	24.00



[LEARN MORE / GET INFORMATION](#)

[SOLARMOUNT \(SM\) PRODUCT PAGE](#)

[LAYOUT YOUR PROJECT IN SECONDS](#)

[GET A SM QUOTE / BOM WITH U-BUILDER](#)

[WHERE TO BUY](#)

[CLICK HERE TO FIND A UNIRAC DISTRIBUTOR](#)

## STANDOFFS & FLASHINGS

### ROOF ATTACHMENTS - TWO-PIECE AL. STANDOFFS (LAG BOLTS NOT INCLUDED)

P/N	DESCRIPTION	PACK SIZE	SHIP WT. LBS
004300M	STANDOFF 3" 2 PIECE AL, MILL	24	15.00
004300D	STANDOFF 3" 2 PIECE AL, DRK	24	15.00
004400M	STANDOFF 4" 2 PIECE AL, MILL	24	17.00
004400D	STANDOFF 4" 2 PIECE AL, DRK	24	17.00
004600M	STANDOFF 6" 2 PIECE AL, MILL	24	21.00
004600D	STANDOFF 6" 2 PIECE AL, DRK	24	21.00
004700M	STANDOFF 7" 2 PIECE AL, MILL	24	23.00
004700D	STANDOFF 7" 2 PIECE AL, DRK	24	22.00

### ROOF ATTACHMENTS - TWO-PIECE ALUMINUM STANDOFFS SPARE HARDWARE

P/N	DESCRIPTION	PACK SIZE	SHIP WT. LBS
330007M	AL STNDOFF 3/8" BOLT&EPDMWSHR	24	1.00

### FLASHINGS - OATEY FLASHING FOR TWO-PIECE AL. STANDOFFS

P/N	DESCRIPTION	PACK SIZE	SHIP WT. LBS
004013C	FLASH SOFT AL 18X18 OATEY 12836	12	11.00

**9** FOR PITCHED ROOF UP TO 40 DEG. - NOT FOR HOT MOPPED OR BUILT-UP ROOF

#### KEY

##### SYMBOL DESCRIPTION

CLR	= CLEAR ANODIZED
DRK	= DARK BRONZE ANODIZED (BLACK)
MILL	= MILL FINISH ALUMINUM
AL	= ALUMINUM
STL	= ZINC PLATED STEEL





[LEARN MORE / GET INFORMATION](#)  
SOLARMOUNT (SM) PRODUCT PAGE

[LAYOUT YOUR PROJECT IN SECONDS](#)  
GET A SM TILT QUOTE / BOM WITH U-BUILDER

[WHERE TO BUY](#)  
CLICK HERE TO FIND A UNIRAC DISTRIBUTOR

### (NEW) FLASHKIT PRO

#### KEY

##### SYMBOL DESCRIPTION

DRK	= DARK BRONZE ANODIZED (BLACK)
MILL	= MILL FINISH ALUMINUM
UV	= UV RESISTANT PLASTIC BLACK
SS	= STAINLESS STEEL

### GROUNDING, BONDING, WIRE MGMT

#### GROUNDING & BONDING HARDWARE

P/N	DESCRIPTION	PACK SIZE	SHIP WT. LBS
008002S	GROUND WEEBLUG #1	20	2.00
008009P	ILSCO LAY IN LUG (GBL4DBT)	20	2.00

#### WIRE MANAGEMENT

P/N	DESCRIPTION	PACK SIZE	SHIP WT. LBS
008003S	ONE WIRE CLIP, SS	500	3.00
008004S	TWO WIRE CLIP, SS	500	3.00
008017S	HEYCO SUNRUNNER 2-S CLIP	500	7.00
008018S	HEYCO SUNRUNNER 4-2U CLIP	500	6.00

#### SOLARMOUNT INTEGRATED BONDING MICROINVERTER MOUNT

P/N	DESCRIPTION	PACK SIZE	SHIP WT. LBS
008013S	MICRO MNT BND T-BOLT 1/4"X3/4" SS	100	2.64

### OPTIONAL FRONT TRIM

#### SOLARMOUNT TRIM

P/N	DESCRIPTION	PACK SIZE	SHIP WT. LBS
008025S	SM TRIM END CLIP	10	0.10
206072D-B	SM TRIM 168" DRK 8PK	8	77.00

### OPTIONAL TILT LEGS

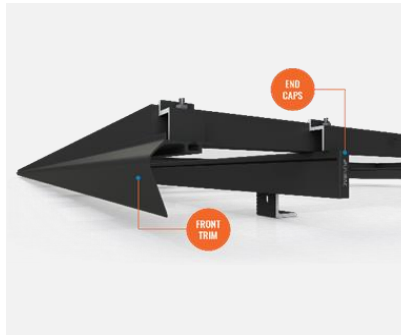
#### SOLARMOUNT ADJUSTABLE TILT LEGS - SINGLE LEG KIT (L-FEET NOT INCLUDED)

P/N	DESCRIPTION	PACK SIZE	SHIP WT. LBS
307107M	SM ADJ TILT LEG, 8-12", W/HDW	20	2.00
307115M	SM ADJ TILT LEG, 18-30", W/HDW	4	3.00
307120M	SM ADJ TILT LEG, 26-44", W/HDW	1	4.00
307134M	SM ADJ TILT LEG, 40-72", W/HDW	1	5.00

⑩ MOUNTING HOLE LOCATIONS ARE 1 IN. FROM EACH END OF TILT LEG(S)

⑪ INCLUDES EXTRA HEX HEAD BOLT W/ NUT FOR MOUNTING L-FOOT TO TILT LEG

⑫ COMPATIBLE WITH SM STANDARD & HD (SMHD) RAIL ONLY



## OPTIONAL SOLARMOUNT TOP MOUNTING MODULE CLAMPS

### SOLARMOUNT PRE-ASSEMBLED TOP MOUNTING ENDCLAMPS

P/N	DESCRIPTION	PACK SIZE	SHIP WT. LBS
302021C	SM ENDCLAMP B CLR AL	20	2.00
302021D	SM ENDCLAMP B DRK AL	20	2.00
302022C	SM ENDCLAMP C CLR AL	20	2.00
302022D	SM ENDCLAMP C DRK AL	20	2.00
302023C	SM ENDCLAMP D CLR AL	20	2.00
302023D	SM ENDCLAMP D DRK AL	20	2.00
302024C	SM ENDCLAMP E CLR AL	20	2.00
302024D	SM ENDCLAMP E DRK AL	20	2.00
302025C	SM ENDCLAMP F CLR AL	20	2.00
302025D	SM ENDCLAMP F DRK AL	20	2.00
302026C	SM ENDCLAMP K CLR AL	20	2.00
302026D	SM ENDCLAMP K DRK AL	20	2.00

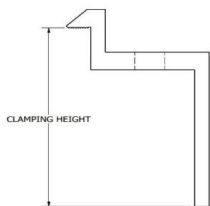
### TOP MOUNTING CLAMP HEIGHT & BOLT LENGTH

LETTER	MODULE THICKNESS	BOLT LG
B	30MM - 32MM	1.18IN - 1.26IN
C	33MM - 36MM	1.30IN - 1.42IN
D	38MM - 40MM	1.50IN - 1.57IN
K	39MM - 41MM	1.54IN - 1.61IN
F	45MM - 47MM	1.77IN - 1.85IN
E	50MM - 51MM	1.97IN - 2.00IN

### SOLARMOUNT PRE-ASSEMBLED INTEGRATED BND TOP MOUNTING MIDCLAMPS

P/N	DESCRIPTION	PACK SIZE	SHIP WT. LBS
302027C	SM BND MIDCLAMP BC SS	20	2.00
302027D	SM BND MIDCLAMP BC DRK SS	20	2.00
302028C	SM BND MIDCLAMP EF SS	20	2.00
302028D	SM BND MIDCLAMP EF DRK SS	20	2.00
302029C	SM BND MID CLAMP DK SS	20	2.00
302029D	SM BND MID CLAMP DK DRK SS	20	2.00

### CLAMP HEIGHT



### SOLARMOUNT RAIL END CAPS FOR USE W/ TOP MOUNTING MID & ENDCLAMPS

P/N	DESCRIPTION	PACK SIZE	SHIP WT. LBS
309003P	SM RAIL END CAP, PRO UV-BLK	100	1.00

### KEY

#### SYMBOL DESCRIPTION

- AL = ALUMINUM
- CLR = CLEAR ANODIZED
- DRK = DARK BRONZE ANODIZED
- SS = STAINLESS STEEL
- DRK SS = BLACK OXIDE COATED STAINLESS STEEL



Take your business to the next level with SFM INFINITY, UNIRAC's rail-less PV mounting system for flush mount installations on pitched roofs. SFM INFINITY optimizes your operations on and off the roof, with approximately 40% less labor, 30% logistics savings, and 20% fewer roof attachments than traditional solar racking. Plus, 87% of homeowners prefer SFM INFINITY's aesthetics.

[LEARN MORE / GET INFORMATION](#)

[SFM INFINITY PRODUCT PAGE](#)

[LAYOUT YOUR PROJECT IN SECONDS](#)

[GET A QUOTE / BOM WITH U-BUILDER](#)

[WHERE TO BUY](#)

[CLICK HERE TO FIND A UNIRAC DISTRIBUTOR](#)

### ROOF ATTACHMENTS & MODULE SPLICES

P/N	DESCRIPTION	PACK SIZE	SHIP WT. LBS
250020U	SFM MICRORAIL 2"	10	6.25
253020U	SFM MICRORAIL 2" 30MM	10	6.25
250010U	SFM SPLICE 6.5"	10	10.00
250030U	SFM ATTACHED SPLICE 8"	10	15.00
253010U	SFM SPLICE 6.5" 30MM	10	10.00
253030U	SFM ATTACHED SPLICE 8" 30MM	10	15.00

### FRONT TRIMRAIL™ & ACCESSORIES

P/N	DESCRIPTION	PACK SIZE	SHIP WT. LBS
250111U	SFM TRIMRAIL UNIV CLIP W/HDW	10	3.00
250120U	SFM TRIM SPLICE DRK	10	8.00
250130U	SFM TRIM END CAPS	10	0.50
256072U	SFM TRIMRAIL 72 UNIV DRK	4	22.00

### GROUNDING & BONDING HARDWARE

P/N	DESCRIPTION	PACK SIZE	SHIP WT. LBS
008000U	SFM N/S BONDING CLAMP	20	3.00
008100U	SFM TRIM BONDING CLAMP	10	1.00
008015S	WIRE BND CLIP	10	1.00
008002S	GROUND WEEBLUG #1	20	2.00
008009P	ILSCO LAY IN LUG	20	2.00

### SFM INFINITY WIRE MANAGEMENT, MLPE MOUNT & ACCESSORIES

P/N	DESCRIPTION	PACK SIZE	SHIP WT. LBS
008114M	MLPE MOUNT ASSY	10	1.00
008017S	HEYCO SUNRUNNER 2-S CLIP	500	7.00
205000S	ENPHASE ENGAGE CABLE CLIP	100	4.00

#### KEY

##### SYMBOL DESCRIPTION

- CLR = CLEAR ANODIZED
- DRK = DARK BRONZE ANODIZED (BLACK)
- MILL = MILL FINISH ALUMINUM
- SS = STAINLESS STEEL



### FLASHINGS FOR COMP SHINGLE ROOFS (FEATURING SHED & SEAL TECHNOLOGY)

P/N	DESCRIPTION	PACK SIZE	SHIP WT. LBS
004200D	FLASHKIT SFM TRIM COMP DARK	10	10.00
004270D	FLASHKIT SFM SLIDER COMP DARK	10	9.00
004080D	FLASHKIT SFM NRE COMP DARK	5	8.00
004271D	FLASHKIT SFM SLIDER S COMP DARK	10	7.00
004201D	FLASHKIT SFM TRIM S COMP DARK	10	7.00

**B** FLASHKITS INCLUDE ATTACHMENT AND RESPECTIVE HARDWARE, PRE-INSTALLED GROMMET, FLASHING, AND STRUCTURAL SCREW

### LEARN MORE / GET INFORMATION

[SFM INFINITY PRODUCT PAGE](#)

### LAYOUT YOUR PROJECT IN SECONDS

[GET A QUOTE / BOM WITH U-BUILDER](#)

### WHERE TO BUY

[CLICK HERE TO FIND A UNIRAC DISTRIBUTOR](#)



**NOW WITH SHED & SEAL TECHNOLOGY**

### COMPONENTS FOR USE WITH SFM FLASHKIT

P/N	DESCRIPTION	PACK SIZE	SHIP WT. LBS
009040S	SFM TRINUT KIT	100	8.00
030027C	HDW LAG BOLT, 5/16 X 4	50	4.00
030040C	STRUCTURAL SCREW 5/16 X 4 SS	50	3.50
009030S	UNIRAC 1/4" HEX TOOL	10	1.00

### FLASHINGS FOR TILE ROOFS

P/N	DESCRIPTION	PACK SIZE	SHIP WT. LBS
005TRFA	FLASHKIT SFMTR F ADOBE (1/2)	10	26.00
005TRFD	FLASHKIT SFMTR F CHARCL (1/2)	10	26.00
005TRFM	FLASHKIT SFMTR F MILL (1/2)	10	26.00
005TRSA	FLASHKIT SFMTR S ADOBE (1/2)	10	27.00
005TRSD	FLASHKIT SFMTR S CHARCL (1/2)	10	27.00
005TRSM	FLASHKIT SFMTR S MILL (1/2)	10	27.00
005TRWA	FLASHKIT SFMTR W ADOBE (1/2)	10	26.00
005TRWD	FLASHKIT SFMTR W CHARCL (1/2)	10	26.00
005TRWM	FLASHKIT SFMTR W MILL (1/2)	10	26.00
00527TR	FLASHKIT SFMTR SLIDER (2/2)	10	7.00
00520TR	FLASHKIT SFMTR TRIM ATT (2/2)	10	8.00

**B** FLASHKITS INCLUDE ATTACHMENT AND RESPECTIVE HARDWARE, PRE-INSTALLED GROMMET, FLASHING, AND STRUCTURAL SCREW

### KEY

#### SYMBOL DESCRIPTION

CLR = CLEAR ANODIZED

DRK = DARK BRONZE ANODIZED (BLACK)

MILL = MILL FINISH ALUMINUM



**CORRUGATED - XCLAMP + S-5  
CORRUBRACKET 100T**



**R-PANEL - XCLAMP + POWERMOUNT**



**STANDING SEAM - XCLAMP**

**WHERE TO BUY**

[CLICK HERE TO FIND A UNIRAC DISTRIBUTOR](#)

The entire MetalX Racking System consists of small components that are easy to ship, transport, load onto the roof and install. No rails are needed. Components fit every module thickness, so any module can be installed on every metal roof. Installer-focused design delivers fast, simple installation at the lowest cost per watt for industrial, commercial and residential metal rooftops.

**ROOF ATTACHMENTS**

P/N	DESCRIPTION	PACK SIZE	SHIP WT. LBS
ES10674	STANDING SEAM, STAND 2SS 5/16"	48	24.00
ES10675	STANDING SEAM, KLOC 2SS 5/16"	48	26.00
ES10676	STANDING SEAM, WIDE 2SS 5/16"	48	30.00
ES10918	STANDING SEAM, MINI 2SS 5/16"	48	24.00
ES10919	STANDING SEAM, KLOC MINI 5/16"	48	24.00
ES10830	CORRUBRACKET 100T	60	35.00
ES10875	RIBBRACKET I	75	36.00
ES10877	RIBBRACKET II	75	36.00
ES10879	RIBBRACKET III	75	36.00
ES10881	RIBBRACKET IV	75	36.00
ES11209	PM ADJUST SLOTTED	50	23.00

**ROOF ATTACHMENT HARDWARE**

P/N	DESCRIPTION	PACK SIZE	SHIP WT. LBS
ES10831	ROOFING SCREW, METAL TO WOOD, 1.5"	240	12.00
ES10883	ROOFING SCREW, METAL TO METAL, 1.5"	240	12.00

**CLAMPS**

P/N	DESCRIPTION	PACK SIZE	SHIP WT. LBS
ES10828	METALX END CLAMP	108	24.00
ES10829	METALX MID CLAMP	108	31.00
ES10835	METALX END 30 CLAMP	108	23.00
ES10836	METALX MID 30 CLAMP	108	30.00
ES10146	METALX END COUPLING	24	16.00



**MLPE TIGER CLIP**

The entire MetalX Racking System consists of small components that are easy to ship, transport, load onto the roof and install. No rails are needed. Components fit every module thickness, so any module can be installed on every metal roof. Installer-focused design delivers fast, simple installation at the lowest cost per watt for industrial, commercial and residential metal rooftops.

### CLAMP HARDWARE

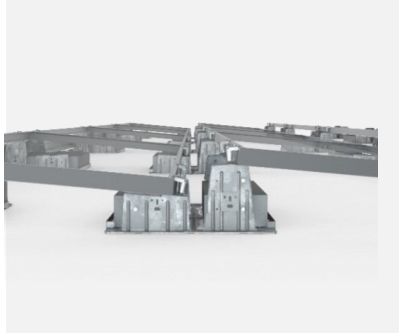
P/N	DESCRIPTION	PACK SIZE	SHIP WT. LBS
ES10889	BOLT, CAP HEX, M8 X 55	200	12.00
ES10890	BOLT, CAP HEX, M8 X 60	200	12.00
ES10891	BOLT, CAP HEX, M8 X 65	200	12.00
ES10892	BOLT, CAP HEX, M8 X 70	200	12.00
ES10893	BOLT, CAP HEX, M8 X 75	200	12.00
ES10894	WASHER, M8	200	2.00
ES10079	BOLT, SERR FLNG BLK, 5/16X2.5	100	0.00
ES10085	BOLT, SERR FLNG BLK, 5/16X2	100	0.00
ES10271	BOLT, SERR FLNG BLK, 5/16X3	100	5.00
ES10325	5/16-18 SERR FLNG HEX NUT	100	2.00

### WHERE TO BUY

[CLICK HERE TO FIND A UNIRAC DISTRIBUTOR](#)

### MLPE MOUNT, ACCESSORIES & BONDING HARDWARE

P/N	DESCRIPTION	PACK SIZE	SHIP WT. LBS
008019S	HEYCO SUNRUNNER CLIP 100/B	100	7.00
008020S	HEYCO SUNRUNNER 4 CLIP 100/B	100	7.00
008021S	SINGLE TRUNK CABLE CLIP	100	7.00
008115M	MLPE TIGER CLIP	48	11.00
ES11108	METALX 30MM ROW BONDING CLIP	10	0.10



The RM5 system provides unsurpassed adaptability and layout flexibility with 5 degree tilt. Row spacing options of 7.5 IN. or 11 IN. give you the ability to maximize array layout and increase project energy production. Wind deflectors provide ballast reduction and fire mitigation to reduce overall system weight on the roof to meet a variety of project requirements.

[LEARN MORE / GET INFORMATION](#)  
[ROOFMOUNT \(RM5\) PRODUCT PAGE](#)

[LAYOUT YOUR PROJECT IN SECONDS](#)  
[GET A QUOTE / BOM WITH U-BUILDER](#)

[WHERE TO BUY](#)  
[CLICK HERE TO FIND A UNIRAC DISTRIBUTOR](#)

### ROOFMOUNT - RM5 BAY, CLAMPS, HDWR, WIRE MGT. & ATTACHMENT

P/N	DESCRIPTION	PACK SIZE	SHIP WT. LBS
310800	RM5 BAY	200	1435.00
310803	RM5 BAY, PVC	200	1435.00
310810	RM5 WIND DEFLECTOR, 84"	60	385.00
310820	RM5/DT ENDCLAMP 30-40MM	20	5.50
310821	RM5/DT ENDCLAMP 41-45MM	20	5.50
310822	RM5/DT ENDCLAMP 46-50MM	20	5.50
310830	RM5/DT PVC ROOF FRICTION PATCH	500	5.00
310850	RM5/DT WIRE MGMT CLIP	20	1.00
310851	RM5 WD WIRE MGMT CLIP	20	1.00
310860	RM5/DT 1/4-20 CLIP U-NUT SS18-8	20	1.00
310861	RM5, WIND DEFLECTOR HDW KIT	20	1.00
310882	RM5/DT H-ATTACHMENT KIT	1	6.00



### MLPE MOUNT, ACCESSORIES & GROUNDING / BONDING HARDWARE

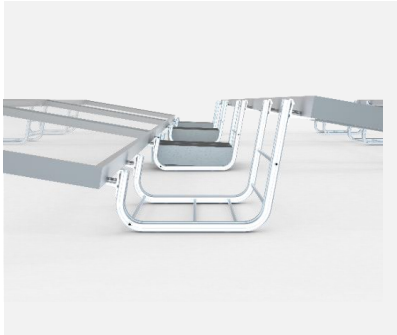
P/N	DESCRIPTION	PACK SIZE	SHIP WT. LBS
008114M	MLPE MOUNT ASSY	10	1.00
205000S	ENPHASE ENGAGE CABLE CLIP	100	4.00
008002S	GROUND WEEBLUG #1	20	2.00
008009P	ILSCO LAY IN LUG (GBL4DBT)	20	2.00

### FLASHLOC™ RM

#### (NEW) THE STRONGEST ATTACHMENT FOR EVERY FLAT ROOF

FLASHLOC™ RM is a lightweight, durable, powder-coated cast aluminum roof attachment solution that provides fast, easy installation and helps save labor costs. FLASHLOC™ RM is compatible with most roofing materials and is applicable for almost all solar racking form factors. Rigorous mechanical, sealing, and ease-of-install testing has been successfully completed for assurance of long-term reliability.

P/N	DESCRIPTION	PACK SIZE	SHIP WT. LBS
310999	FLASHLOC RM KIT	10	10.60



RM10 introduced the Power of Simplicity to the ballasted flat roof solar industry. The system consists of only two major components, minimizing preparation work and installation time with one tool assembly. Seamlessly design around roof obstacles, support most framed modules and bond the system with just the turn of a wrench.

### LEARN MORE / GET INFORMATION

[ROOFMOUNT \(RM10\) PRODUCT PAGE](#)

### LAYOUT YOUR PROJECT IN SECONDS

[GET A QUOTE / BOM WITH U-BUILDER](#)

### WHERE TO BUY

[CLICK HERE TO FIND A UNIRAC DISTRIBUTOR](#)

#### ROOFMOUNT - RM10 BALLAST BAY, CLAMPS, BOLT & ROOF PAD

P/N	DESCRIPTION	PACK SIZE	SHIP WT. LBS
310710	RM10 BAY	100	325.00
310749	RM10 MODULE CLIP W/HEX BOLT	20	5.00
310750	RM10 MODULE CLIP BULK PK	200	36.00
310751	RM10 HEX BOLT BULK PK	400	28.00
310760	RM10 ROOF PAD	200	34.50

#### MLPE MOUNT, ACCESSORIES & GROUNDING / BONDING HARDWARE

P/N	DESCRIPTION	PACK SIZE	SHIP WT. LBS
008114M	MLPE MOUNT ASSY	10	1.00
205000S	ENPHASE ENGAGE CABLE CLIP	100	4.00
008002S	GROUND WEEBLUG #1	20	2.00
008009P	ILSCO LAY IN LUG (GBL4DBT)	20	2.00
310771	RM10 ATTACHMENT KIT	1	2.50



#### FLASHLOC™ RM

##### (NEW) THE STRONGEST ATTACHMENT FOR EVERY FLAT ROOF

FLASHLOC™ RM is a lightweight, durable, powder-coated cast aluminum roof attachment solution that provides fast, easy installation and helps save labor costs. FLASHLOC™ RM is compatible with most roofing materials and is applicable for almost all solar racking form factors. Rigorous mechanical, sealing, and ease-of-install testing has been successfully completed for assurance of long-term reliability.

P/N	DESCRIPTION	PACK SIZE	SHIP WT. LBS
310999	FLASHLOC RM KIT	10	10.60





Unirac's RMDT system maximizes energy density, with 8 degree dual tilt, allowing up to 33% more modules on the roof. The elimination of wind deflectors and fire skirts reduces part count and streamlines the system installation.

**LEARN MORE / GET INFORMATION**

[ROOFMOUNT \(RMDT\) PRODUCT PAGE](#)

**LAYOUT YOUR PROJECT IN SECONDS**

[GET A QUOTE / BOM WITH U-BUILDER](#)

**WHERE TO BUY**

[CLICK HERE TO FIND A UNIRAC DISTRIBUTOR](#)

**ROOFMOUNT - RMDT BAY(S), CLAMPS, HDWR, WIRE MGT. & ATTACHMENT**

P/N	DESCRIPTION	PACK SIZE	SHIP WT. LBS
310801	RMDT RIDGE BAY	150	1175.00
310802	RMDT VALLEY BAY	200	1125.00
310804	RMDT RIDGE BAY, PVC	150	1175.00
310805	RMDT VALLEY BAY, PVC	200	1125.00
310823	RMDT MIDCLAMP 46-50MM	20	5.50
310824	RMDT MIDCLAMP 41-45MM	20	5.50
310825	RMDT MIDCLAMP 36-40MM	20	5.50
310826	RMDT MIDCLAMP 32-35MM	20	5.50
310820	RM5/DT ENDCLAMP 30-40MM	20	5.50
310821	RM5/DT ENDCLAMP 41-45MM	20	5.50
310822	RM5/DT ENDCLAMP 46-50MM	20	5.50
310850	RM5/DT WIRE MGMT CLIP	20	1.00
310851	RM5 WD WIRE MGMT CLIP	20	1.00
310860	RM5/DT 1/4-20 CLIP U-NUT SS18-8	20	1.00
310882	RM5/DT H-ATTACHMENT KIT	1	6.00

**MLPE MOUNT, ACCESSORIES & GROUNDING / BONDING HARDWARE**

P/N	DESCRIPTION	PACK SIZE	SHIP WT. LBS
008114M	MLPE MOUNT ASSY	10	1.00
205000S	ENPHASE ENGAGE CABLE CLIP	100	4.00
008002S	GROUND WEEBLUG #1	20	2.00
008009P	ILSCO LAY IN LUG (GBL4DBT)	20	2.00



**FLASHLOC™ RM**

**(NEW) THE STRONGEST ATTACHMENT FOR EVERY FLAT ROOF**

FLASHLOC™ RM is a lightweight, durable, powder-coated cast aluminum roof attachment solution that provides fast, easy installation and helps save labor costs. FLASHLOC™ RM is compatible with most roofing materials and is applicable for almost all solar racking form factors. Rigorous mechanical, sealing, and ease-of-install testing has been successfully completed for assurance of long-term reliability.

P/N	DESCRIPTION	PACK SIZE	SHIP WT. LBS
310999	FLASHLOC RM KIT	10	10.60

# ECOFOOT5D



**ECOFOOT5D BASE**

**WHERE TO BUY**

[CLICK HERE TO FIND A UNIRAC DISTRIBUTOR](#)



**ECOFOOT5D WIND DEFLECTOR**



EcoFoot5D delivers preassembled parts and an out-of-the-box, ready-to-go installation. Small 7x16.7" roof-friendly modular Base and dense 9.9" inter-row spacing enables a tightly packed solar array that delivers 18.4% more power than 10° systems. Whether your roof is small or large, EcoFoot5D provides more power, lowering cost-per-watt.

**ECOFOOT5D COMPONENTS**

P/N	DESCRIPTION	PACK SIZE	SHIP WT. LBS
ES10466	ECOFOOT UNIVERSAL CLAMP KIT	48	51.00
ES10480	ECOFOOT5D MID-SUPPORT KIT	24	25.00
ES10486	ECOFOOT5D 71" BALLAST TRAY	250	2013.00
ES10488	ECOFOOT5D 83" BALLAST TRAY	250	2346.00
ES10490	ECOFOOT5D BASE	340	1945.00
ES10494	ECOFOOT5D 70" WIND DEFLECTOR	100	2027.00
ES10496	ECOFOOT5D 82" WIND DEFLECTOR	100	2391.00
ES10843	ECOFOOT ROOF TO STRUT HDWR KIT	24	17.00
ES10844	ECOFOOT STRUT TO MOD HDWR KIT	24	12.00
ES10851	ECOFOOT STRUT TO MOD KIT 30MM	24	11.00
ES11023	ECOFOOT5D 87" BALLAST TRAY	250	2475.00
ES11024	ECOFOOT5D 86" WIND DEFLECTOR	800	2515.00
ES20501	B22 GALVANIZED STRUT 10"	1	16.10

**WIRE MANAGEMENT, MLPE MOUNT & ACCESSORIES**

P/N	DESCRIPTION	PACK SIZE	SHIP WT. LBS
ES10810	ECOTRAY BASE, 6"	10	2.90
ES10811	ECOTRAY CAP 96"	10	3.90
ES10812	ECOTRAY TRAY, 96"	10	4.70
ES10813	ECOTRAY RIVET	100	4.00
ES10970	ECOFOOT MLPE BRACKET	48	19.00
ES20913	ECOMOUNT 1 INVERTER KIT	1	31.00
ES20914	ECOMOUNT 2 INVERTER KIT	1	53.00
008019S	HEYCO SUNRUNNER CLIP 100/B	100	7.00
008020S	HEYCO SUNRUNNER 4 CLIP 100/B	100	7.00
008021S	SINGLE TRUNK CABLE CLIP	100	7.00
008115M	MLPE TIGER CLIP	48	11.00

**FLASHLOC™ RM**

**(NEW) THE STRONGEST ATTACHMENT FOR EVERY FLAT ROOF**

FLASHLOC™ RM is a lightweight, durable, powder-coated cast aluminum roof attachment solution that provides fast, easy installation and helps save labor costs. FLASHLOC™ RM is compatible with most roofing materials and is applicable for almost all solar racking form factors. Rigorous mechanical, sealing, and ease-of-install testing has been successfully completed for assurance of long-term reliability.

P/N	DESCRIPTION	PACK SIZE	SHIP WT. LBS
310999	FLASHLOC RM KIT	10	10.60

# ECOFOOT2+



The EcoFoot2+ solar panel mounting system provides a structurally rigid and electrically connected array while simplifying the installation process. The base is the hub of the ballasted mounting system. The optimized shape is lightweight, roof friendly, and can be quickly positioned on the roof. EcoFoot2+'s pre-assembled components and simple installation process ensure your project timelines and labor targets are met.



**ECOFOOT2+ BASE**

## WHERE TO BUY

[CLICK HERE TO FIND A UNIRAC DISTRIBUTOR](#)



**ECOFOOT2+ WIND DEFLECTOR**

### ECOFOOT2+

P/N	DESCRIPTION	PACK SIZE	SHIP WT. LBS
ES10466	ECOFOOT UNIVERSAL CLAMP KIT	48	51.00
ES10843	ECOFOOT ROOF TO STRUT HDWR KIT	24	17.00
ES10844	ECOFOOT STRUT TO MOD HDWR KIT	24	12.00
ES10851	ECOFOOT STRUT TO MOD KIT 30MM	24	11.00
ES11203	ECOFOOT2+ MID-SUPPORT KIT	48	33.00
ES20142	ECOFOOT2+ BASE W/ EPDM STRIPS	300	185.00
ES20207	ECOFOOT2+ BASE	300	1226.00
ES20311A	ECOFOOT2+ 44" WIND DEFLECTOR	300	1525.00
ES20311B	ECOFOOT2+ 70" WIND DEFLECTOR	300	1776.00
ES20311C	ECOFOOT2+ 82" WIND DEFLECTOR	300	2014.00
ES20311H	ECOFOOT2+ 86" WIND DEFLECTOR	300	2094.00
ES20311K	ECOFOOT2+ 92" WIND DEFLECTOR	300	2260.00
ES20501	B22 GALVANIZED STRUT 10"	1	16.10

### WIRE MANAGEMENT, MLPE MOUNT, ACCESSORIES & BONDING HARDWARE

P/N	DESCRIPTION	PACK SIZE	SHIP WT. LBS
ES10378	ECOFOOT BONDING JUMPER 38"	1	53.00
ES10810	ECOTRAY BASE, 6"	10	2.90
ES10811	ECOTRAY CAP 96"	10	3.90
ES10812	ECOTRAY TRAY, 96"	10	4.70
ES10813	ECOTRAY RIVET	100	4.00
ES10970	ECOFOOT MLPE BRACKET	48	19.00
ES20913	ECOMOUNT 1 INVERTER KIT	1	31.00
ES20914	ECOMOUNT 2 INVERTER KIT	1	53.00
008019S	HEYCO SUNRUNNER CLIP 100/B	100	7.00
008020S	HEYCO SUNRUNNER 4 CLIP 100/B	100	7.00
008021S	SINGLE TRUNK CABLE CLIP	100	7.00
008115M	MLPE TIGER CLIP	48	11.00

### FLASHLOC™ RM

#### (NEW) THE STRONGEST ATTACHMENT FOR EVERY FLAT ROOF

FLASHLOC™ RM is a lightweight, durable, powder-coated cast aluminum roof attachment solution that provides fast, easy installation and helps save labor costs. FLASHLOC™ RM is compatible with most roofing materials and is applicable for almost all solar racking form factors. Rigorous mechanical, sealing, and ease-of-install testing has been successfully completed for assurance of long-term reliability.

P/N	DESCRIPTION	PACK SIZE	SHIP WT. LBS
310999	FLASHLOC RM KIT	10	10.60



GridFlex™ combines strength and flexibility for the best in flat roof solar. Low ballast counts and ultimate array design flexibility. Rail sections connect to create a rigid structure that greatly reduces ballast weight. Modular, preassembled components offer ultimate array design flexibility and installer preferred construction process. Additionally, preassembled stanchion clamps secure the inside and outside of the module frame for robust reliable connections that can be trusted beyond the 25-year warranty.

[LEARN MORE / GET INFORMATION](#)  
[GRIDFLEX™ PRODUCT PAGE](#)

[SUBMIT FOR A QUOTE](#)  
[GET A GRIDFLEX™ PROJECT QUOTE /BOM](#)

[WHERE TO BUY](#)  
[CLICK HERE TO FIND A UNIRAC DISTRIBUTOR](#)

### GRIDFLEX™ COMPONENTS

P/N	DESCRIPTION	PACK SIZE	SHIP WT. LBS
360010	GRIDFLEX NORTH RAIL	20	23.00
360020	GRIDFLEX MID RAIL	10	29.00
360030	GRIDFLEX SOUTH RAIL	20	26.00
360040	GRIDFLEX 5D NORTH CLMP ASSY	20	10.00
360050	GRIDFLEX 5D SOUTH CLMP ASSY	20	17.00
360060	GRIDFLEX LANDER PAD	50	18.00
360070	GRIDFLEX BALLAST, 62-69"	5	29.50
360080	GRIDFLEX BALLAST, 77-83"	5	36.00
360090	RM GRIDFLEX DEFLECTOR 62-69"	5	23.00
360100	RM GRIDFLEX DEFLECTOR 77-83"	5	28.00

### GRIDFLEX™ HARDWARE

P/N	DESCRIPTION	PACK SIZE	SHIP WT. LBS
360061	GRIDFLEX HARDWARE KIT	80	

# GROUND FIXED TILT



Ground Fixed Tilt (GFT) is an engineered system of standard, light weight ground mount components that is in stock and ready to ship from North America's largest ground mount distribution network. Unirac's unmatched commercial project support makes construction easy, from permitting through installation, including region-specific engineering. GFT's refined solution, including a new shared Rail design, delivers enhanced system and labor optimization. Plus, enjoy peace of mind with SOLARMOUNT Mounting Technology and Unirac's industry-leading 25-year warranty.

## LEARN MORE / GET INFORMATION

[GROUND FIXED TILT \(GFT\) PRODUCT PAGE](#)

## SUBMIT FOR A QUOTE

[GET A GFT PROJECT QUOTE /BOM](#)

## WHERE TO BUY

[CLICK HERE TO FIND A UNIRAC DISTRIBUTOR](#)

### GFT C-PILES

P/N	DESCRIPTION	PACK SIZE	SHIP WT. LBS
404001	GFT C-PILE, 12.5'	30	2400.00
404002	GFT C-PILE, 15.0'	30	2910.00
404004	GFT C-PILE, 10.5'	30	2016.00

[COMPATIBLE WITH CONVENTIONAL AND SHARED RAIL DESIGNS](#)

### GFT TOP CHORDS AND BRACES FOR SHARED RAIL DESIGNS

P/N	DESCRIPTION	PACK SIZE	SHIP WT. LBS
404036	GFT TOP CHORD CHANNEL 20/30 LS	30	870.00
404031	GFT DIAG BRACE ASSEMBLY 20D SR	30	630.00
404032	GFT DIAG BRACE ASSEMBLY 30D SR	30	750.00
404013	GFT ASSEMBLY HARDWARE 4-RAIL KIT	30	90.00
404034	GFT ASSEMBLY HARDWARE 3-RAIL KIT	30	90.00

### GFT RAIL

P/N	DESCRIPTION	PACK SIZE	SHIP WT. LBS
411166M	GFT RAIL 166" MILL	60	840.00
411246M	GFT RAIL 246" MILL	60	1200.00

[COMPATIBLE WITH CONVENTIONAL AND SHARED RAIL DESIGNS](#)

### GFT ACCESSORIES

P/N	DESCRIPTION	PACK SIZE	SHIP WT. LBS
404014	KIT, GFT RAIL SPLICE W/ HDWR	60	180.00
404015	GFT WIRE MANAGEMENT CLIP	100	5.00
404020	GFT RAIL SUPPLEMENTAL HDWR 4-RAIL	1	1.00
GFT-CAP	GFT RAIL END CAP, UV-BLK	100	3.30

[COMPATIBLE WITH CONVENTIONAL AND SHARED RAIL DESIGNS](#)

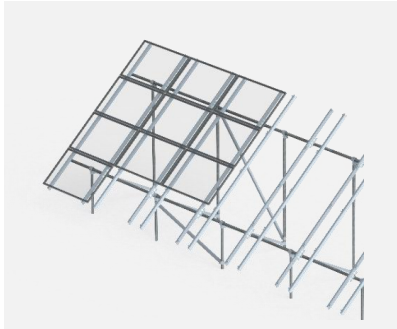
### KEY

#### SYMBOL DESCRIPTION

AL = MILL FINISH ALUMINUM

STL = ZINC PLATED STEEL

# UNIRAC LARGE ARRAY



UNIRAC LARGE ARRAY (ULA) supports a wider range of site and climatic challenges than any other PV structure on the market. ULA aluminum components merge with SOLARMOUNT rails and installer-supplied steel pipe to form durable, rigid truss structures. ULA has the flexibility for any size project.

## SEE SOLARMOUNT

FOR RAILS, CLAMPS & BONDING COMPONENTS  
PAGES 3, 4, 5 & 6

## LEARN MORE / GET INFORMATION

UNIRAC LARGE ARRAY (ULA) PRODUCT PAGE

## SUBMIT FOR A QUOTE

GET A ULA PROJECT QUOTE /BOM

## WHERE TO BUY

CLICK HERE TO FIND A UNIRAC DISTRIBUTOR

### ULA COMPONENTS FOR 2 IN. ID SCHEDULE 40/80 PIPE

P/N	DESCRIPTION	PACK SIZE	SHIP WT. LBS
403200C	ULA BRACE, 2"@ 7 FT, AL	1	10.00
403201C	ULA BRACE, 2"@ 10.5 FT, AL	1	16.00
403202C	ULA BRACE, 2"@ 14 FT, AL	1	21.00
403211C	ULA FRONT CAP, 2", AL	1	2.00
403213C	ULA RAIL BRACKET, 2", AL	1	2.00
403214C	ULA REAR CAP, 2", AL	1	2.00
403215C	ULA SLIDER, 2", AL	1	1.00

### (NEW) ULA GROUND SCREWS

P/N	DESCRIPTION	PACK SIZE	SHIP WT. LBS
403219S	ULA GROUND SCREW 2.67" X 5.25'	70	19.20
403220S	ULA GROUND SCREW 2.67" X 6.56'	70	23.92

### ATTACHMENT FOR CONCRETE SLAB OR FOOTING

P/N	DESCRIPTION	PACK SIZE	SHIP WT. LBS
403216S	ULA THREADED FOOT, 2", STL	1	2.00

## KEY

### SYMBOL DESCRIPTION

AL	= MILL FINISH ALUMINUM
STL	= ZINC PLATED STEEL



UNIRAC E-BOSS is a complete line of electrical balance of systems components which integrate with UNIRAC mounting systems. Full integration between UNIRAC's mounting system and electrical accessories significantly improves the installation experience and ensures every part of the mounting system is covered by UNIRAC's industry leading 25-year full system warranty. To be 100% sure you get Every install 100% perfect, insist that your entire system is 100% UNIRAC!



**SOLARTRAY WIRE MANAGEMENT**

### SOLARTRAY WIRE MANAGEMENT

#### RAILTRAY: WIRE RUNS PARALLEL TO RAIL

P/N	DESCRIPTION	PACK SIZE	SHIP WT. LBS
00802RT	E-BOSS RAIL TRAY	40	18.00

#### BRIDGETRAY: WIRE RUNS PERPENDICULAR TO RAIL

P/N	DESCRIPTION	PACK SIZE	SHIP WT. LBS
00802BC	E-BOSS BRIDGE CLIPS	40	2.00
00802BT	E-BOSS BRIDGE TRAY	20	11.00



**CONDUIT MOUNT**

### E-BOSS MOUNTS

#### CONDUIT MOUNT, J-BOX MOUNT, MLPE MOUNT

P/N	DESCRIPTION	PACK SIZE	SHIP WT. LBS
00822CM	E-BOSS CONDUIT MT 2.0 COMP KIT	10	5.00
00802JB	E-BOSS J-BOX MOUNTING BRACKET	20	15.00
008114M	MLPE MOUNT ASSY	10	1.00



**SOLOBOX JUNCTION BOX**

### SOLOBOX JUNCTION BOX

#### **(NEW) THE ONLY ROOF JUNCTION BOX YOU NEED**

SOLOBOX is the only junction box you need for comp shingle, roll comp, and rail-mounted applications. Featuring Flashloc Technology, SOLOBOX saves you time and labor on the roof by limiting shingle cutting and prying nails on attic runs. SOLOBOX is NEMA 3R rated, UL1741 certified and backed by Unirac's 25 year warranty.

P/N	DESCRIPTION	PACK SIZE	SHIP WT. LBS
SOLOBOX	SOLOBOX JUNCTION BOX	8	5.00
SOLOBOX-D	SOLOBOX JUNCTION BOX w/ DIN RL	8	5.00

### WHERE TO BUY

[CLICK HERE TO FIND A UNIRAC DISTRIBUTOR](#)

### KEY

#### SYMBOL DESCRIPTION

AL = MILL FINISH ALUMINUM

STL = ZINC PLATED STEEL