

POWER PEAK™

The **POWER PEAK** mounting system is designed for residential, commercial, and utility-scale ground mount installations. The system's single row, vertical post design dramatically reduces the number of ground penetrations and provides increased ground clearance. POWER PEAK structures are easily assembled without lifting equipment and do not require field modifications, including drilling or welding. Pre-assembled components, including patented module clamps, significantly reduce installation time and labor, and the system's unique module rail design incorporates built-in wire channels to increase efficiency and provide a professional-looking appearance.

FEATURES AND BENEFITS

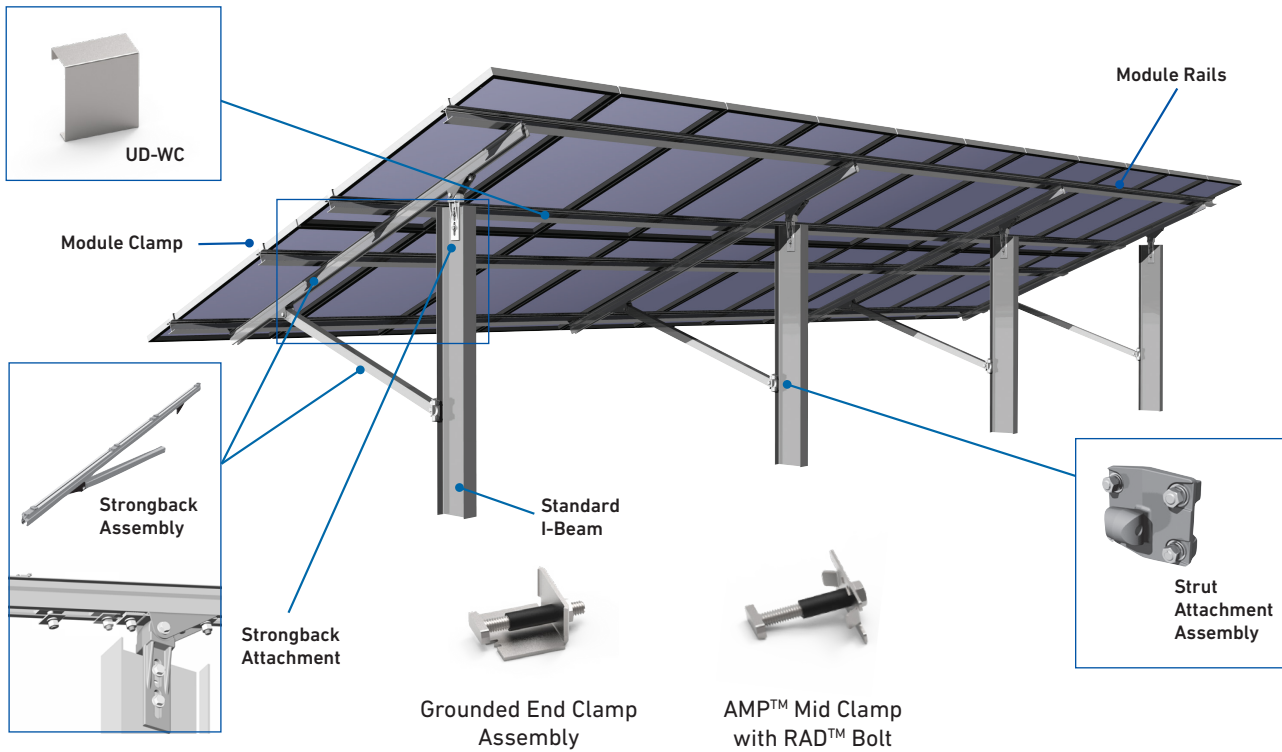
- Featuring high-strength, lightweight aluminum components
- Optimized for site-specific conditions
- Pre-assembled components
- High-strength aluminum or steel attachments
- Integrated wire management channels
- Wind tunnel tested
- Code compliant





COMPONENTS

POWER PEAK™ AL – Aluminum Ground Mount System



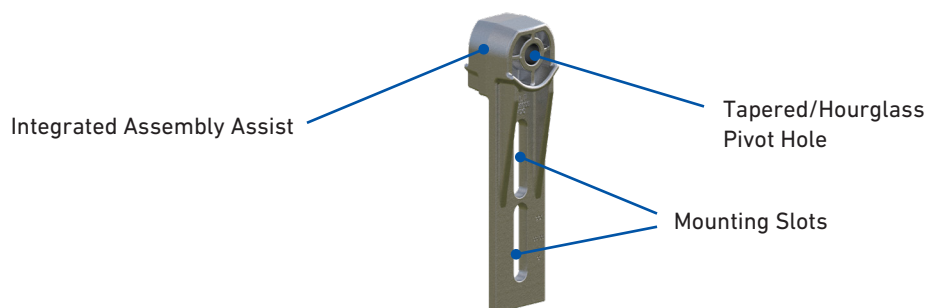
Component	Features
Standard I-Beam	<ul style="list-style-type: none"> • Pile driven with standard equipment • Sized per site conditions to reduce overall system costs • Sourced locally to reduce freight costs and delivery times • Pre-punched and galvanized - Ready to install
Strut Attachment Assembly	<ul style="list-style-type: none"> • Field adjustable • Captive bolts – No loose parts • High-strength aluminum corrosion protection • Lateral adjustments resolve twisted posts
Strongback Attachment	<ul style="list-style-type: none"> • Vertical field adjustments (2.5 inches) • High-strength aluminum corrosion protection • Built in articulation for twisted posts (+/- 5 degrees)
Strongback Assembly	<ul style="list-style-type: none"> • Unfold and hang for easy assembly to posts • Factory pre-assembled – strongback/strut/rail brackets • Field adjustable for easy alignment • Lightweight, high-strength aluminum UD POWER RAIL™
Module Rails	<ul style="list-style-type: none"> • Lightweight, high-strength aluminum • Built-in wire channels • Long lengths minimize splices
Module Clamps	<ul style="list-style-type: none"> • Heavy-duty stainless steel • Factory pre-assembled – Lock-in-Place RAD™ Clamp, patented • Built-in electrical bonding • Secure module clamping

OPTIONAL: Wire Management Clip (UD-WC)

STRONGBACK & STRUT ATTACHMENT

The main attachments are strong, durable, and designed with built-in adjustability.

Strongback Attachment



Feature	Benefit
Integrated Assembly Assist	Without using hardware, the installer can temporarily hang the Strongback Attachment on the I-beam until the next person can follow-up with through bolts
Tapered/Hourglass Pivot Hole	Provides ± 5 -degrees lateral movement of the Strongback for twisted I-beams (see details on next page)
Mounting Slots	Vertical adjustments of ± 1.25 " to compensate for out-of-level I-beams

Strut Attachment

Ships pre-assembled, no gathering of hardware or assembly required.

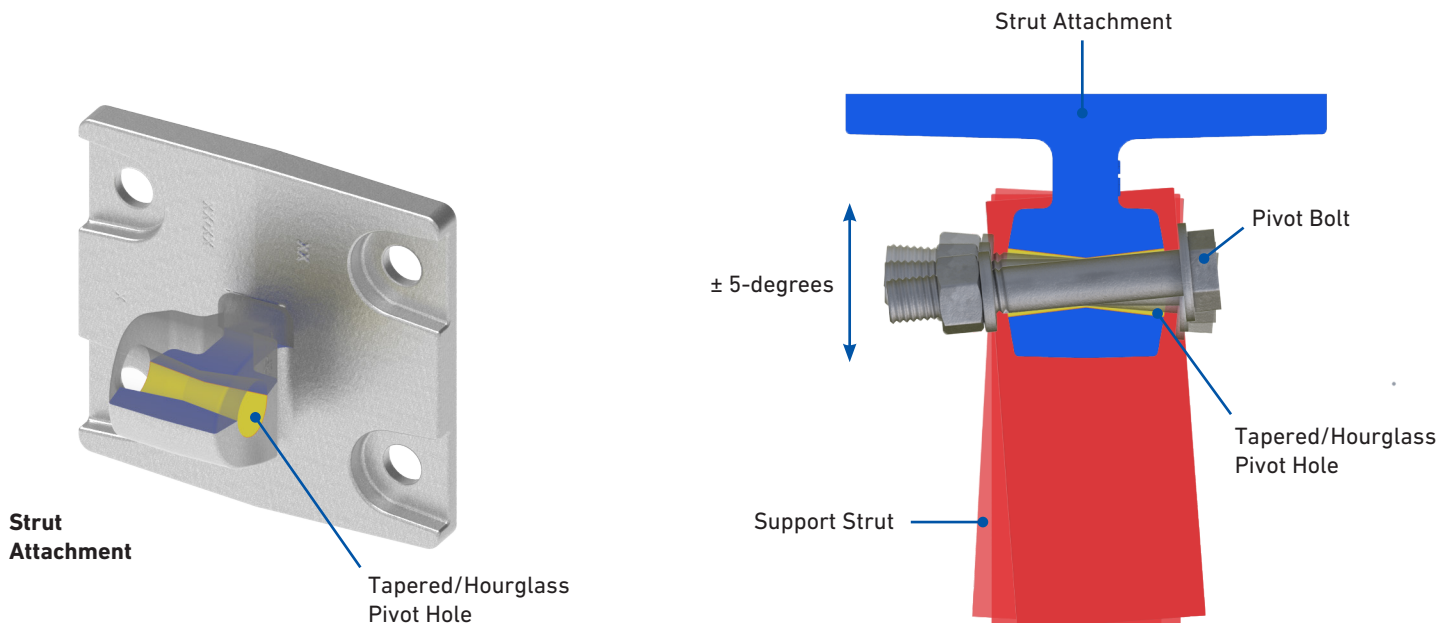
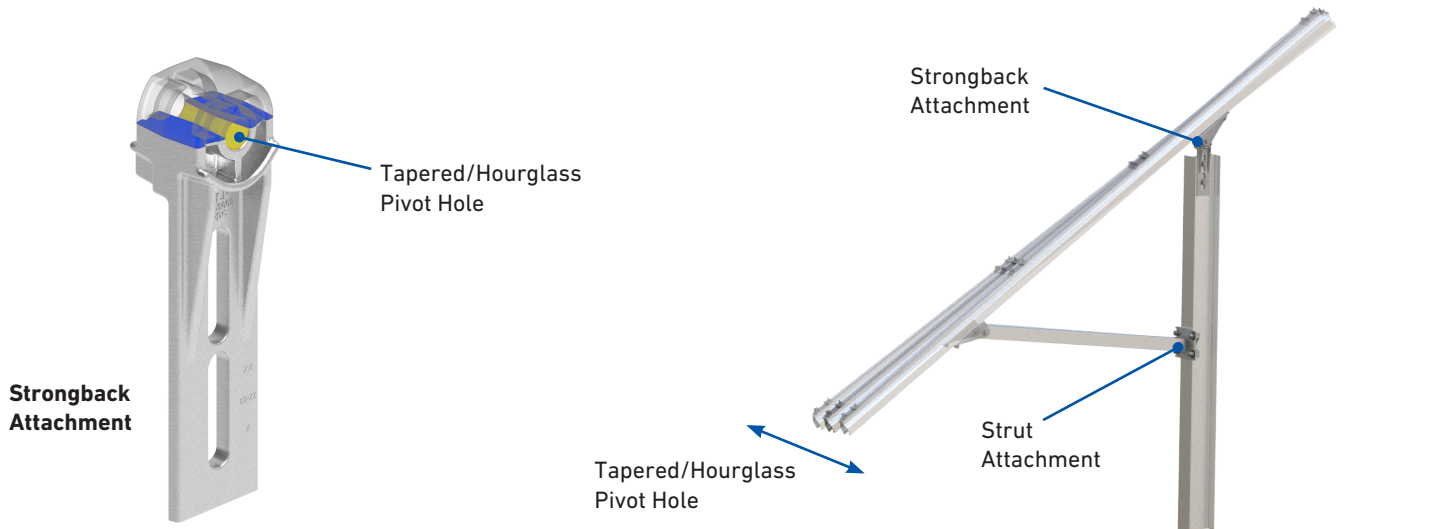


Feature	Benefit
Tapered/Hourglass Pivot Hole	Provides ± 5 -degrees lateral movement of the Strongback for twisted I-beams (see details on next page)
Clamps to I-beams	<ul style="list-style-type: none"> • Provides unlimited vertical adjustments along I-beams • Installs fully assembled. Slips onto I-beams, no disassembly required. • Back Bracket captures head of bolt eliminating need for two wrenches



STRONGBACK & STRUT ATTACHMENT CONTINUED

Each includes an hourglass shaped pivot hole allowing ± 5 -degrees of lateral adjustability.

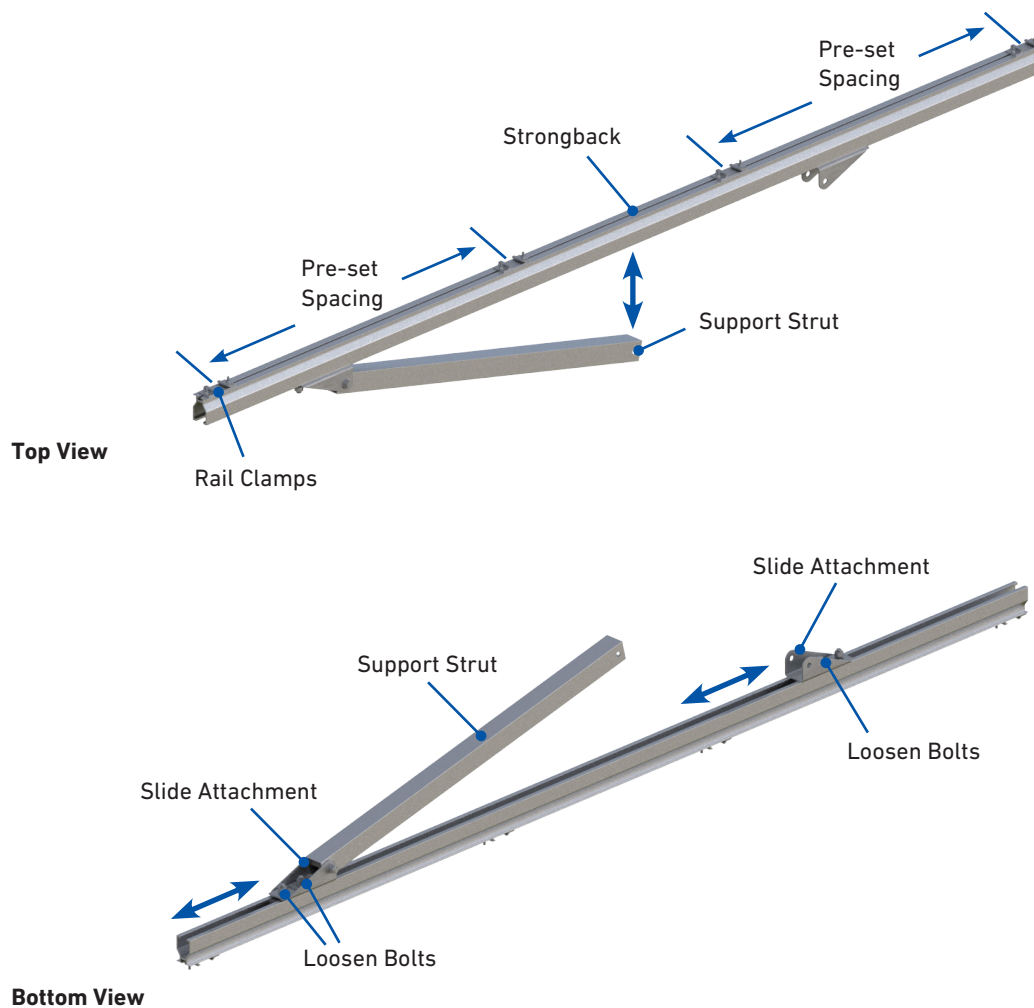


Lateral Movement Cutaway

When desired lateral position is achieved, tighten the Pivot Bolt to lock position. Tapered/Hourglass Pivot Hole provides ± 5 lateral movement of the Strongback for twisted Piles.

STRONGBACK ASSEMBLY

Ships fully assembled as shown below.



Feature	Benefit
Strongback	Available in several size options to optimize design strength and reduce material cost
Support Strut	Folds into the Strongback to ease transportation and reduce shipping costs
Rail Clamps	Preset spacing to meet the module manufacturer's clamping specifications while reducing field measurements and handling of small parts
Loosen Bolts	Loosening Slide Attachment bolts allows installer to adjust the Strongback as needed to follow land contours

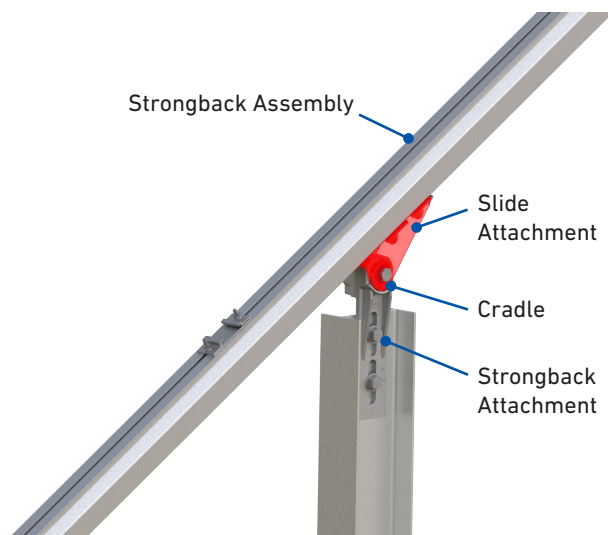
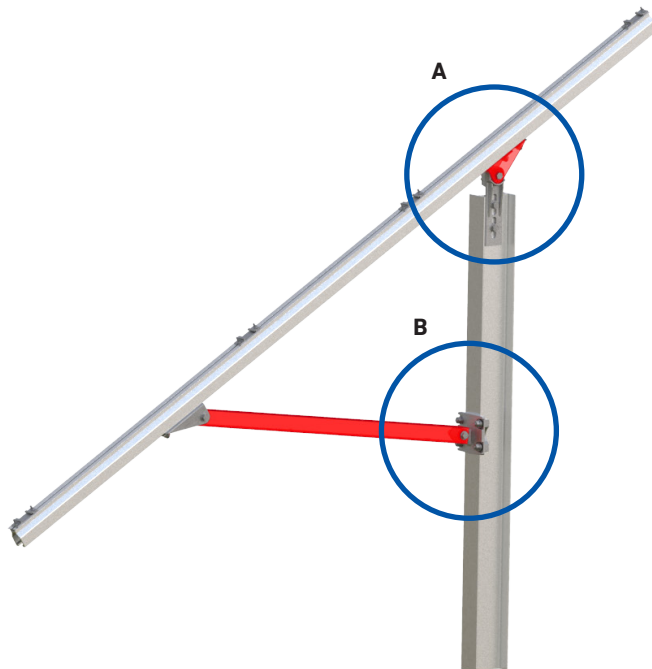


STRONGBACK ASSEMBLY CONTINUED

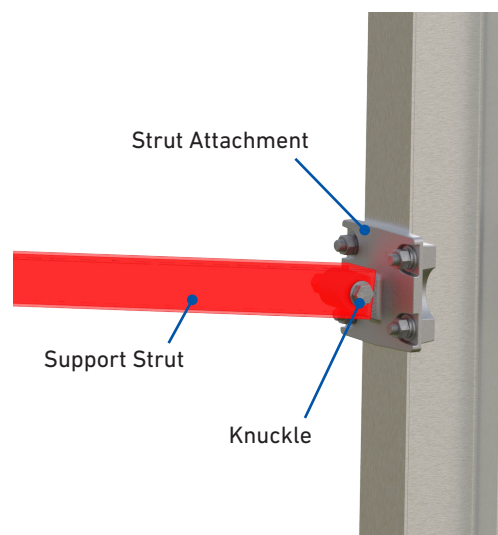
Pre-hanging the Strongback Assembly

To reduce installation costs, the lightweight components of the Strongback Assemblies allow them to be easily lifted by one person and pre-hung on the I-beams, after which through bolts and hardware are installed to secure it in place. This sets the stage for one person or team to pre-hang the Strongback Assemblies while a second person or team follows up with through bolts and hardware. There is no need for heavy-duty lifting equipment.

How it works: At the top of the I-beam, the Strongback Attachment has a cradle that accepts and holds the Strongback Assembly in place via the Slide Attachment. Midway down the I-beam, the Strut Attachment includes a knuckle-shaped protrusion that accepts the lower end of the Support Strut. These two attachment points allow the Strongback Assembly to freely hang in place awaiting the through bolts and attaching hardware.



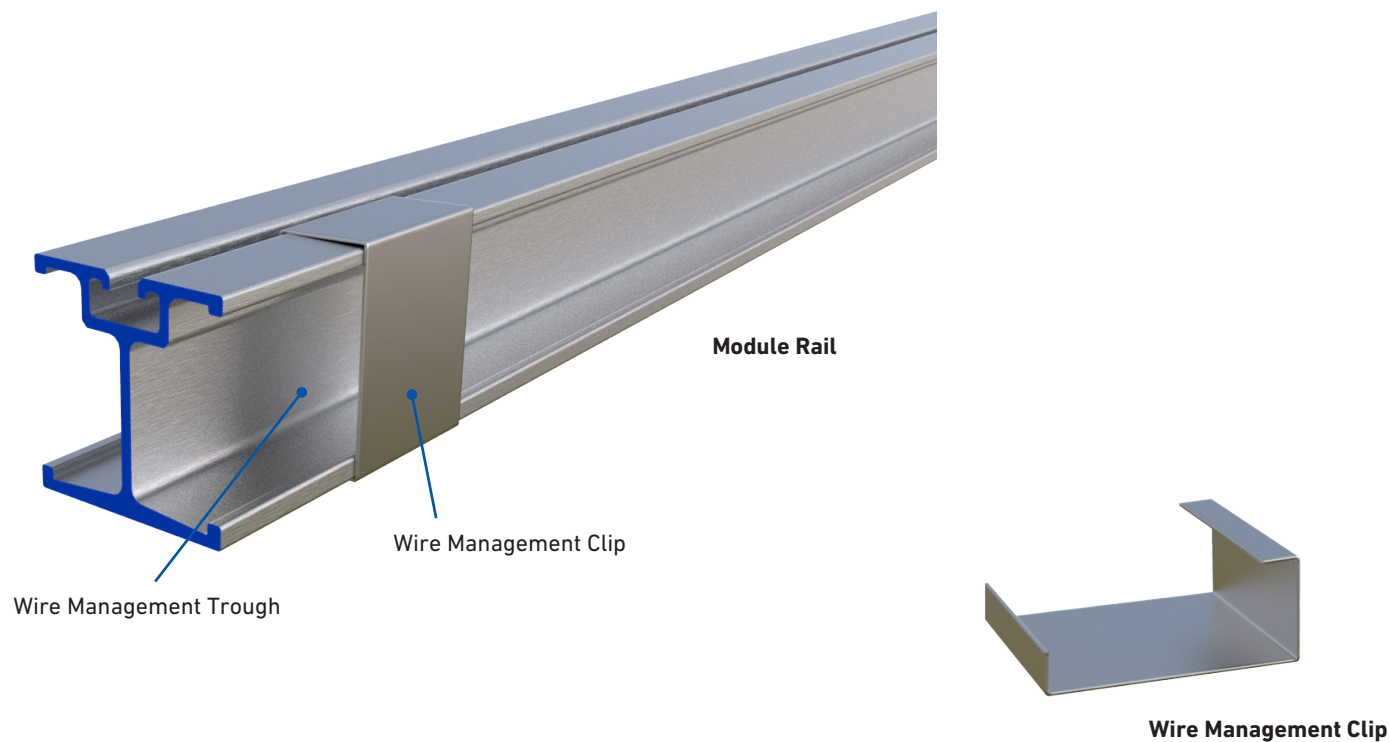
A



B

MODULE RAILS

Lightweight aluminum extrusion requires no heavy lifting equipment.

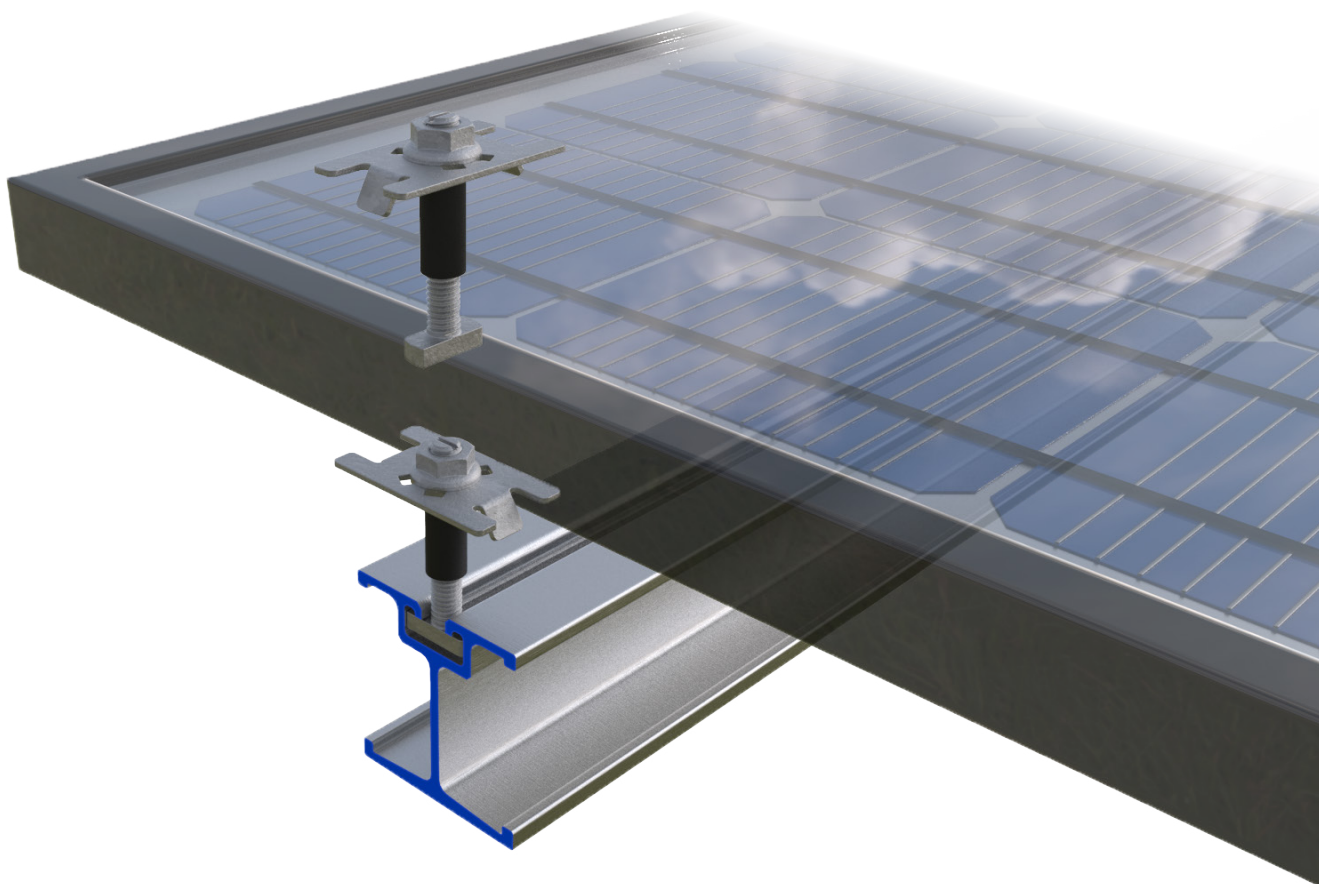


Feature	Benefit
Module Rail	Available in several size options to optimize design strength and reduce material cost
Wire Management Clip	Easily snaps into place and holds wires snug within the trough, providing a clean, professional aesthetic
Wire Management Trough	Allows ample space to contain wires for a clean and professional appearance



POWER PEAK AL

- Fast installation and on-the-fly adjustability
- Single-row I-beam design speeds installation
- Single-Strut design
- Built-in features maximizes adjustability
- Factory pre-assembly minimizes components and on-site labor requirements
- Pre-assembled/integrated grounding module clamps
- Integrated wire management
- UL-2703 listed



GLOBAL HEADQUARTERS 660 BETA DRIVE CLEVELAND, OHIO 44143
+1 440 461 5200 SOLAR@PLP.COM PLP.COM

© 2023 Preformed Line Products Printed in U.S.A. SL-SS-1109-9 10.23.2C

