

S-5![®]
The Right Way!



Attachment Solutions & Products

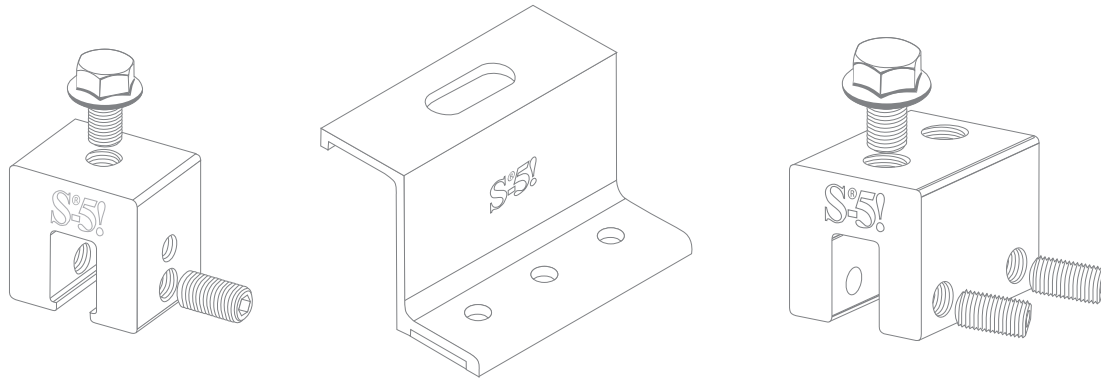
www.S-5.com | 888-825-3432 |





ATTACHMENT SOLUTIONS

S-5!® Attachment Products



Attaching rooftop ancillary items had always been difficult, often resulting in leaks and maintenance problems, until the advent of S-5!®. Thanks to our round-point setscrews, S-5! clamps will neither pierce the metal roof paneling nor violate roof manufacturer warranties.

Metal standing seam systems represent the “state-of-the-art” in roofing alternatives today, offering service life and dependability measured in decades. S-5! clamps complement these roofs by providing a reliable method for attaching a variety of products to metal roofing. Their versatile, simple design and ample size make the standard-sized S-5! clamps strong, making them perfect for snow retention products and all

other heavy-duty applications. S-5! mini clamps also have incredible holding strength, providing exceptional value and performance for medium-duty applications.

Our broad line of aluminum and brass attachment products are extremely versatile, fitting most standing seam and exposed-fastened metal roof profiles, including most structural and architectural profiles.

All of our S-5! products are laboratory tested on a variety of seam types and materials to determine ultimate tensile failure loads. These test results are available on our website www.S-5.com or through your S-5! distributor.



Attachment Solutions & Products

COUNTLESS APPLICATIONS

WITH NO ROOFTOP PENETRATION OR WARRANTY VIOLATION

Attach Almost Anything to Metal Roofs!

Attach solar panels, snow retention and wind performance systems, signs, banners, light fixtures, gas piping, stack and flue bracing, antennas, roof walkways, HVAC equipment, fascias, lightning protection systems, equipment screens, conduit, condensate lines, and more – all without violating the integrity of the roof or the roof manufacturer's warranty!

Wind Protection and Performance Systems



S-5!® WindClamps™ are designed to increase wind uplift performance. WindClamps can increase wind resistance by preventing multiple modes of failure. WindClamps have proven to be a necessity in some regions, preserving rooftops subject to extreme weather.

Satellite Dishes



Satellite dishes and antennas can be installed securely, quickly, and efficiently using our S-5! Mini clamps.

Signs and Banners



With S-5! clamps; signage and banners are mounted securely with no holes in the roof panels, no leaks, and no problem when the next tenant moves in. Temporary advertising and information banners are easily installed and subsequently removed.

Pipes and Conduits



S-5! clamps offer the perfect attachment solution to mounting piping, electrical conduits, condensate lines, and equipment to metal roofs without unsightly and corrosive wood blocking, harsh and messy sealant.

HVAC and Rooftop Equipment



S-5! clamps allow HVAC, ductwork, and rooftop equipment to be mounted to metal roofs, while still ensuring proper drainage of moisture and debris. Usual mounting methods, such as wood blocking, void roof warranties by trapping moisture against the panel surface. Use of S-5! clamps ensure equipment will not migrate from its intended location, will not obstruct drainage, and can operate efficiently without violating the roof warranty.

And Everything Else...



Roof walkways, lightning protection, light fixtures, fascias, downspouts, and dormers — even holiday and rooftop lighting — can be mounted in a durable and cost-effective manner.

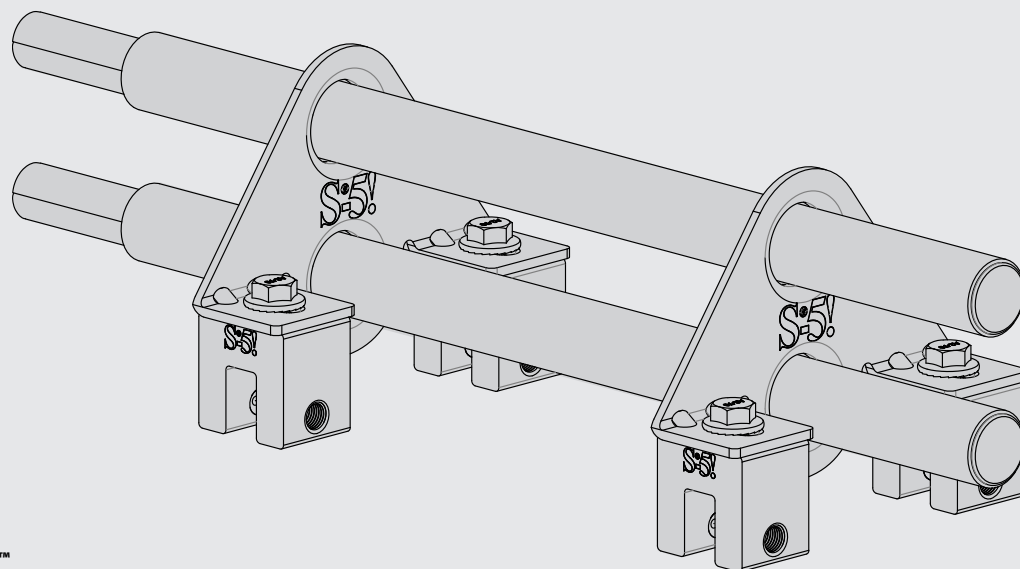
WHETHER PERMANENT OR TEMPORARY, SAFETY AND EASE ARE OUR GOALS WHEN ATTACHING ALMOST ANYTHING TO METAL ROOFS, WITH S-5! ATTACHMENT SOLUTIONS.





Snow Retention Systems

Rooftop avalanches are a real risk that damages property and injures or takes lives of passer-by's. With a secure snow retention system in place, you can take this worry off your mind during the winter months.



DualGard™

DualGard™ is the most versatile 1 inch two-pipe snow retention system for all standing seam roof applications. DualGard utilizes two S-5! Mini clamps for extra strength versus other two-pipe systems. All DualGard components can be used with VersaGard and VersaGard V, offering a complete snow retention system for exposed fastener roofs.



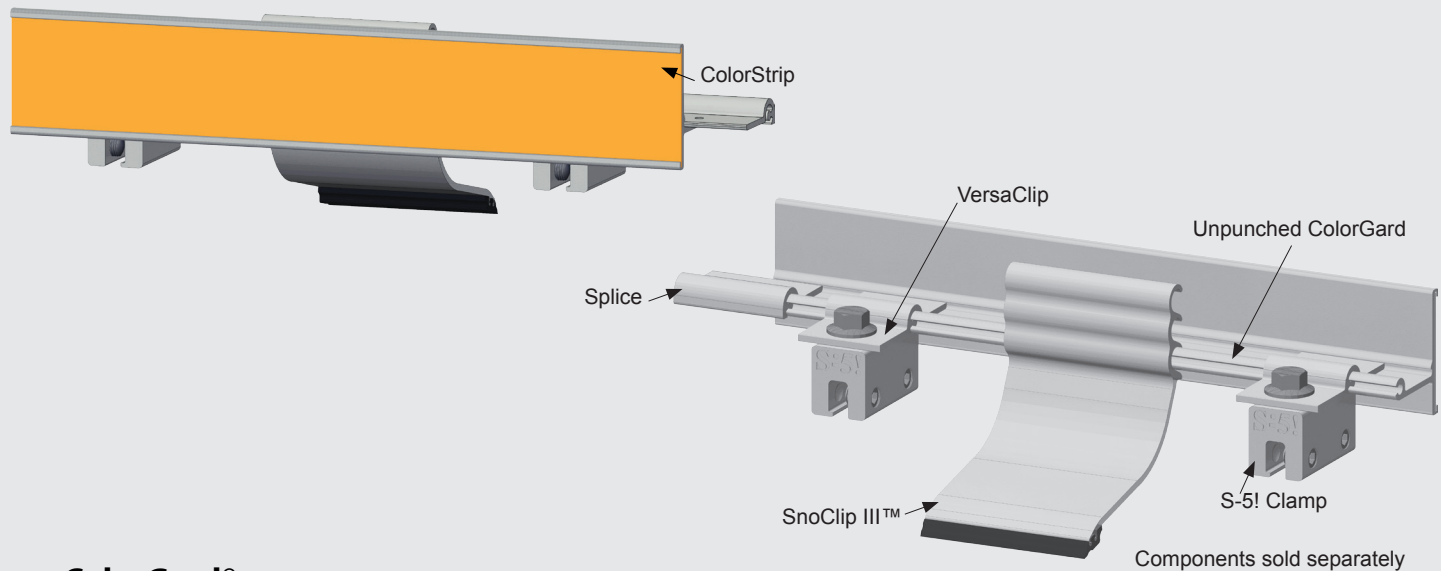
DualClip II™



DualClip III™

DualClip II™ and DualClip III™

DualClip II™ and DualClip III™ are optional components that can be added to your S-5! DualGard™, VersaGard™, and VersaGard™ V snow retention systems to further retard the migration of snow. DualClip can be installed initially, or can be retrofitted to existing snow retention systems. DualClip is installed by placing the clip on the uphill side of the system with the curved top of the clip resting on top pipe and the rubber foot resting on the roof surface. The DualClip is fastened in place by driving a screw through the pre-punched holes into the pipe. DualClip's special integrated rubber "foot" prevents abrasion of the panel's finish. DualClip II is specifically designed for seam heights from 1" to 1-1/2" and VersaGard systems. DualClip III is designed to fit seams 1-3/4" to 3-1/4".

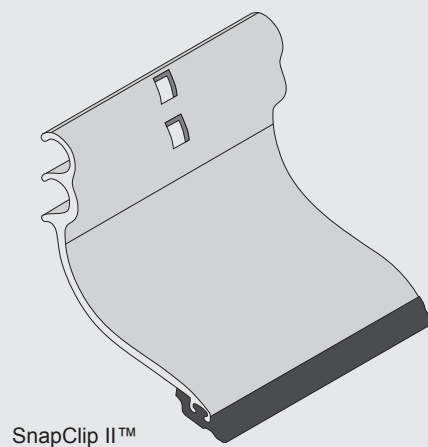


ColorGard®

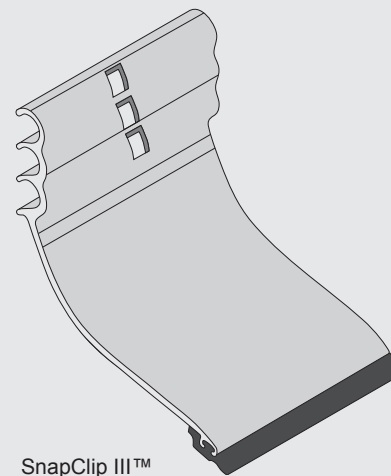
Designed on a site-specific basis, ColorGard® controls snow migration while maintaining the clean colorful appearance of the roof with perfect color and finish matching. ColorGard is the only snow retention system that can be guaranteed for total system performance and exact color match for the life of the roof.* ColorGard's penetration-free clamp attachment technology preserves the roof manufacturer's warranty.

ColorGard® is the most reliable snow retention system on the market, and we have the warranty to prove it! In addition to the free 25-year warranty on parts, ColorGard is the only system that offers an optional limited ColorGard System Warranty* against system failure. ColorGard maintains unsurpassed holding strength and a lower installed cost than any other engineered system on the market. And unlike other snow retention systems, ColorGard utilizes a strip of the actual roof material to ensure perfect color match for the life of the roof.*

*To see optional limited ColorGard System Warranty information, check out our ColorGard Calculator, view load test results, and more at www.S-5.com.



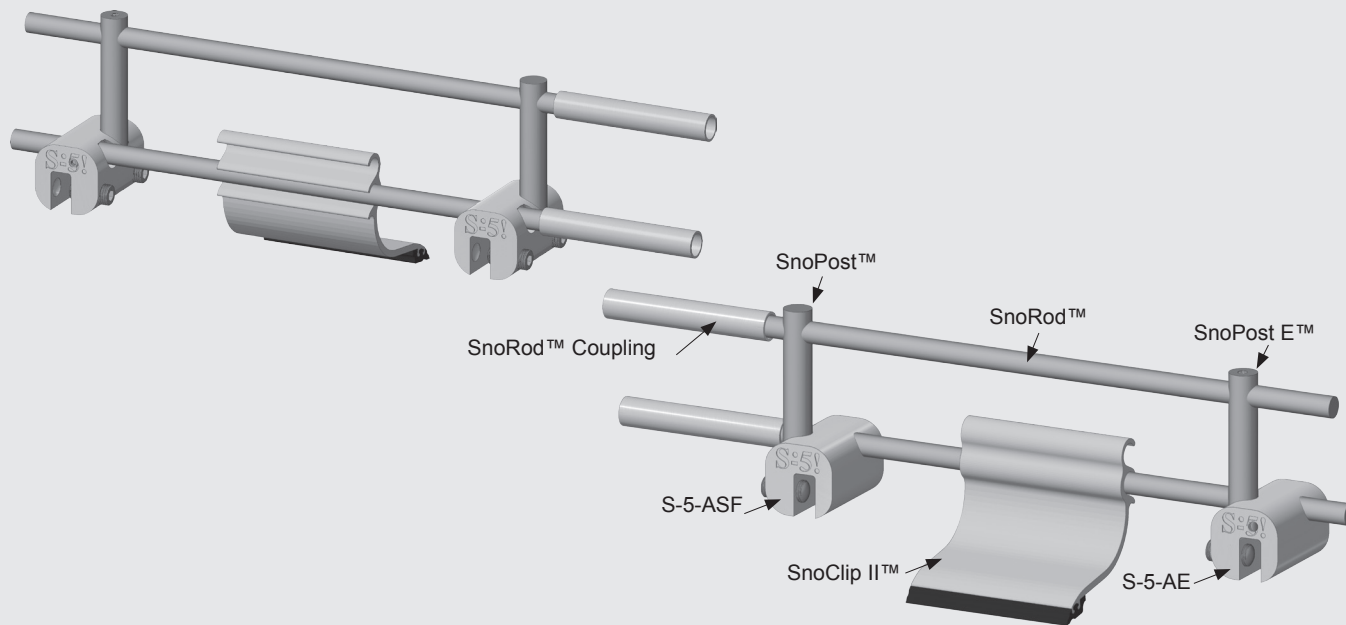
SnapClip II™



SnapClip III™

SnapClip II™ and SnapClip III™

SnapClip II™ or SnapClip III™ are optional components that can be added to your S-5! ColorGard® snow retention system. To further retard the migration of snow, SnapClip can be retrofitted to existing ColorGard assemblies. SnapClip is installed by snapping the appropriate lock onto the ColorGard crossmember, and securing by driving a screw through the pre-punched holes into the channel of the crossmember. It has a special integrated rubber "foot" to prevent abrasion of the panel's finish. SnapClip II™ has 2 locks and is especially made for seam heights of 1" (25 mm) to 1-3/4" (44.5 mm). SnapClip III™ has 3 different locks and will work on seam heights of 1-3/4" (44.5 mm) up to 3" (76 mm).

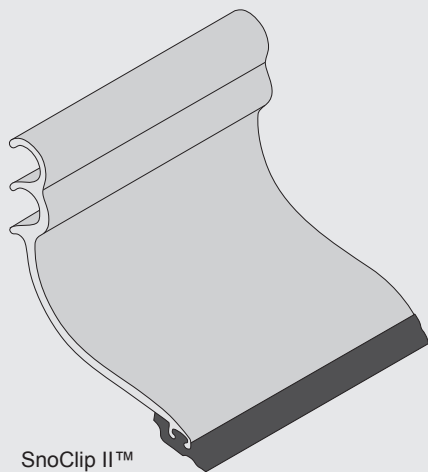


Components sold separately

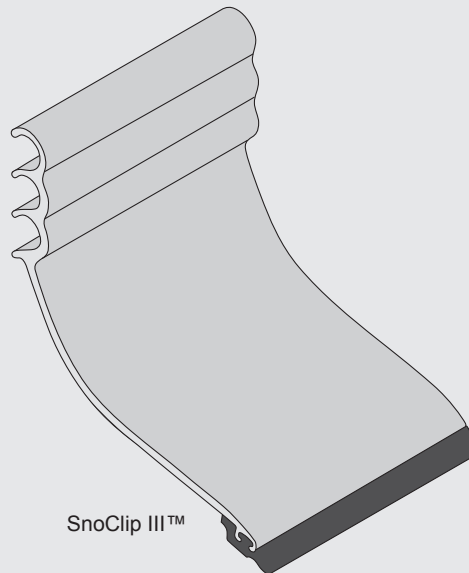
SnoRail™ and SnoFence™

Architects and roof designers agree; the clean lines, cylindrical shapes, and high-tech look of our SnoRail™ and SnoFence™ systems present attractive functionality without cluttering the lines of standing seam metal roofs. Systems are available with aluminum clamps and stainless steel cross members. Also, available in brass.

SnoRail™ and SnoFence™ can dramatically reduce the risks associated with rooftop avalanches, while maintaining the clean lines of the roof. Whether aluminum or brass, the SnoRail and SnoFence systems offer a sleek, stylish design and can be engineered on a site-specific basis.



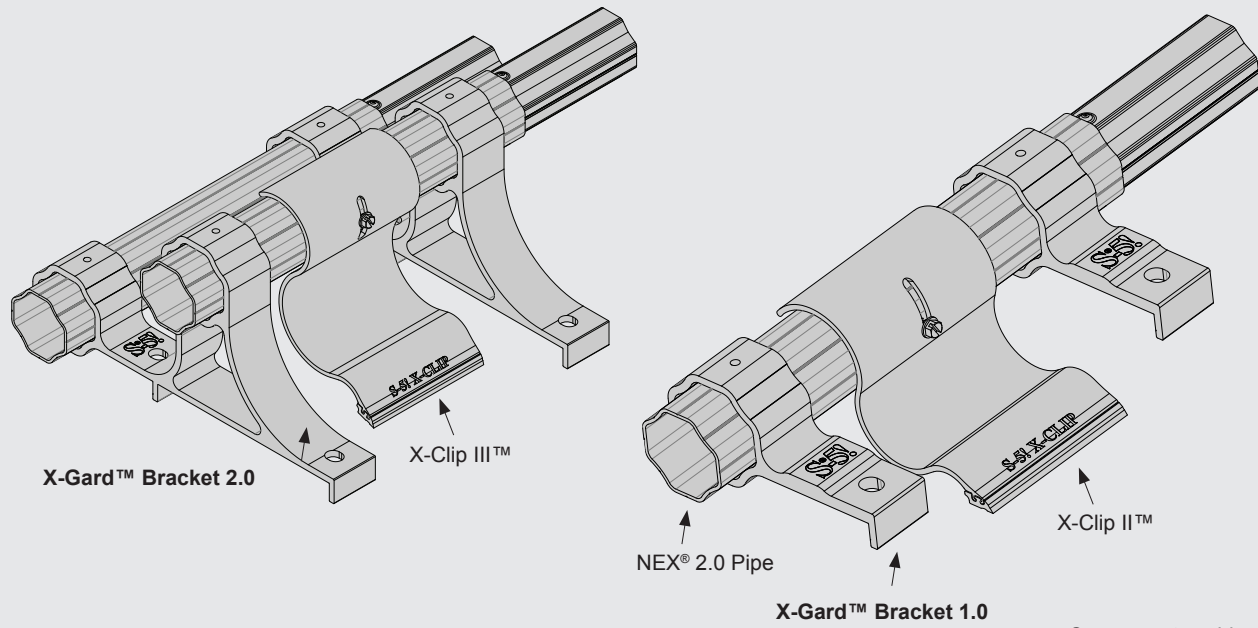
SnoClip II™



SnoClip III™

SnoClip II™ and SnoClip III™

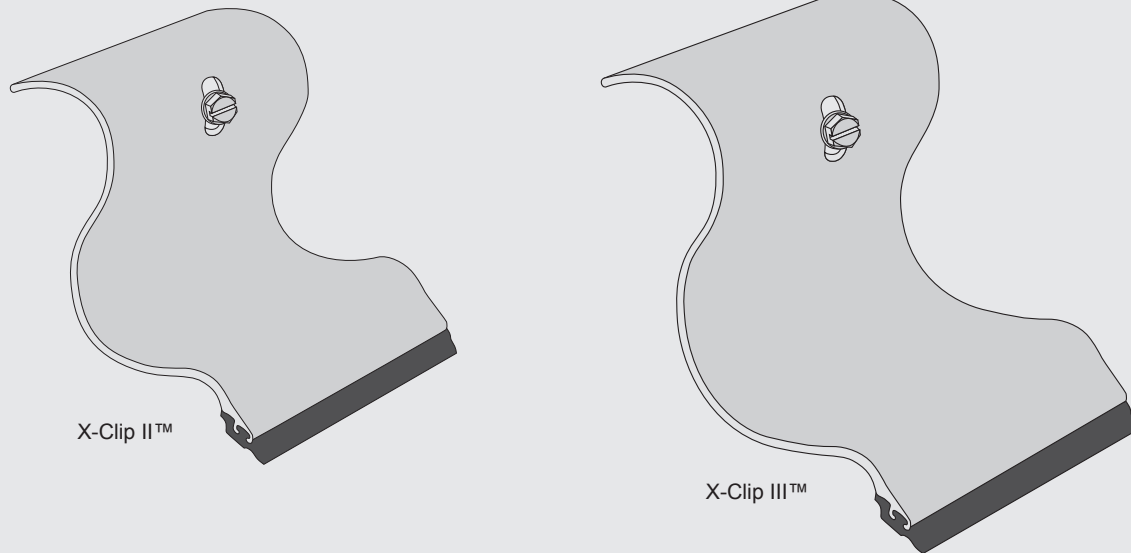
This aluminum component retards the migration of snow and ice beneath the ColorGard® crossmember or SnoRail™ and SnoFence™ systems by sliding the part onto the crossmember or rod from the end. It has a special integrated rubber "foot" to prevent abrasion of the panel's finish. SnoClip II™ has two locks and is designed for seam heights of 1" (25 mm) to 1-3/4" (44.5 mm). SnoClip III™ has three different locks and is designed for seam heights of 1-3/4" (44.5 mm) up to 3-1/4" (76 mm).



Components sold separately

X-Gard™

The X-Gard™ is a snow retention solution from S-5!® that can be designed as a one- or two-pipe system spanning up to 48". No other snow retention system on the market has proven stronger than X-Gard. This new snow retention solution can be easily retrofitted to existing roofs or incorporated into new construction design.



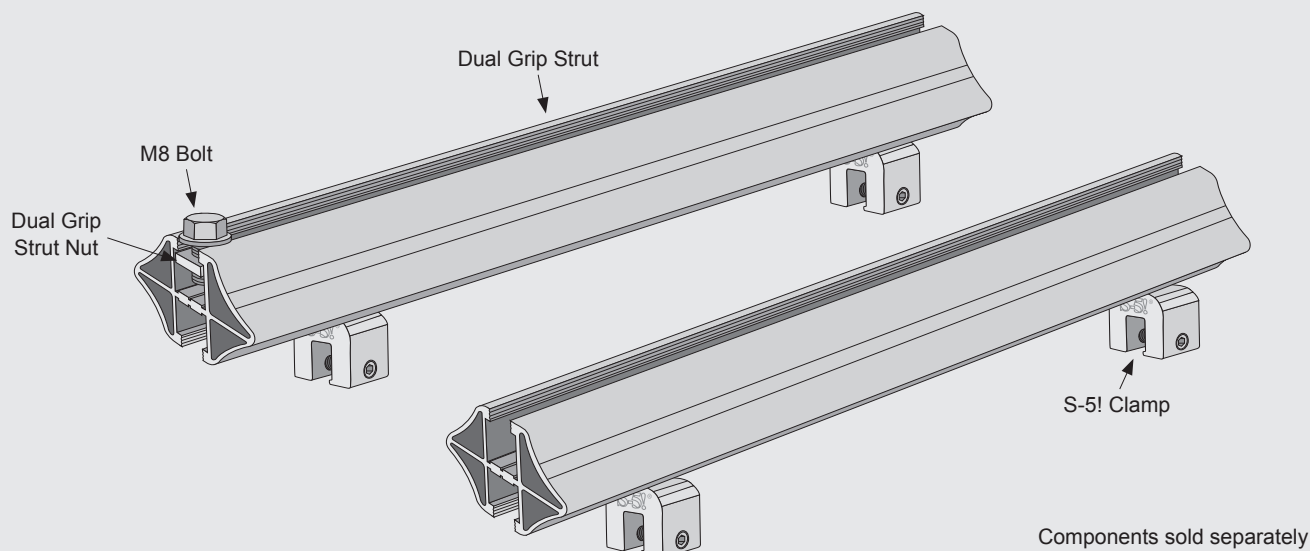
X-Clip II™ and X-Clip III™

This aluminum component retards the migration of snow and ice beneath the X-Gard™ NEX® 2.0 Pipe. It has a special integrated rubber "foot" to prevent abrasion of the panel's finish. X-Clip II™ is designed for seam heights of 1" (25 mm) to 1-3/4" (44.5 mm). It will also fit 2" (51 mm) vertical seams, but not 2" (51 mm) horizontal. X-Clip III™ is designed for seam heights of 2" (51 mm) up to 3" (76 mm).



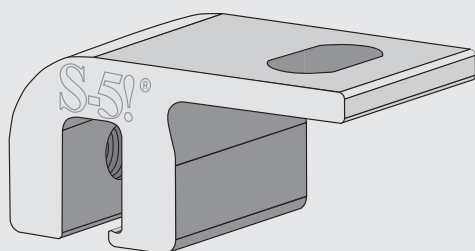
S-5!® Utility Systems

The S-5!® Utility System is the most versatile utility mounting solution for standing seam metal roofs, and is exclusively by S-5! The Utility System enables easy attachment of almost any conceivable utility application, including: signs, banners, light fixtures, gas piping, antennas, roof walkways, HVAC equipment, lightning protection systems, condensate lines, stack/flue bracing, fascias, equipment screens, electrical conduit, antennas, cabling, and more.



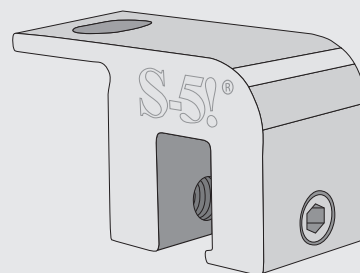
Utility System

The S-5!® Utility System is the most versatile utility mounting solution for standing seam metal roofs, and is exclusively from S-5!. The Utility System enables easy attachment of almost any conceivable utility application, including: signs, banners, light fixtures, gas piping, antennas, roof walkways, HVAC equipment, lightning protection systems, condensate lines, stack/flue bracing, fascias, equipment screens, electrical conduit, antennas, cabling, and more.



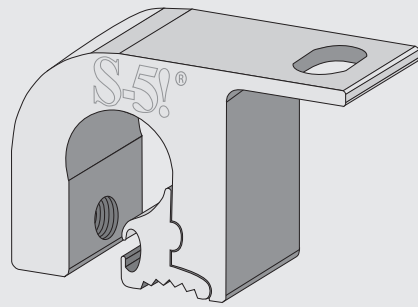
S-5-EF

The S-5-EF Mini clamp is a unique mini clamp with a flange that is designed to increase the ease and versatility of attaching items such as the Utility System to double-folded standing seams.



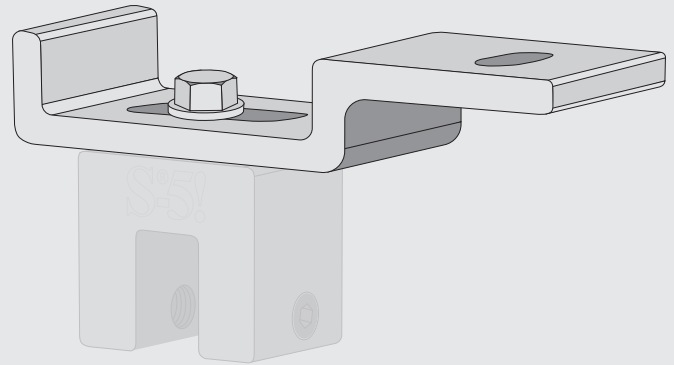
S-5-USF

The S-5-USF Mini clamp is a mini clamp with a flange, increasing the ease with which some ancillaries, such as the Utility System, can be attached. The S-5-USF fits 85% of U.S. standing seam profiles including most snap-together and machine-folded seams.



S-5-ZF

The S-5-ZF Mini clamp is a mini clamp with a flange that is specifically designed to fit bulb-shaped profiles, increasing the ease with which some ancillaries can be attached, including the Utility System.



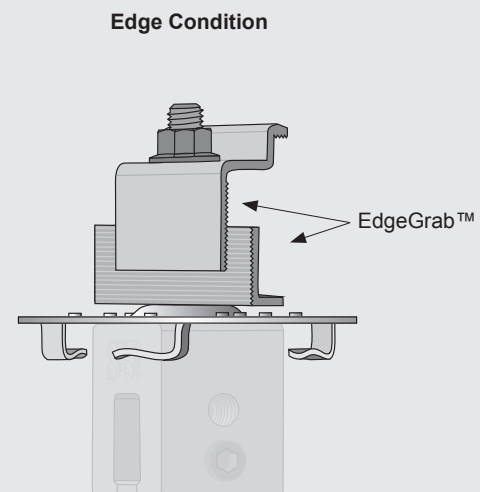
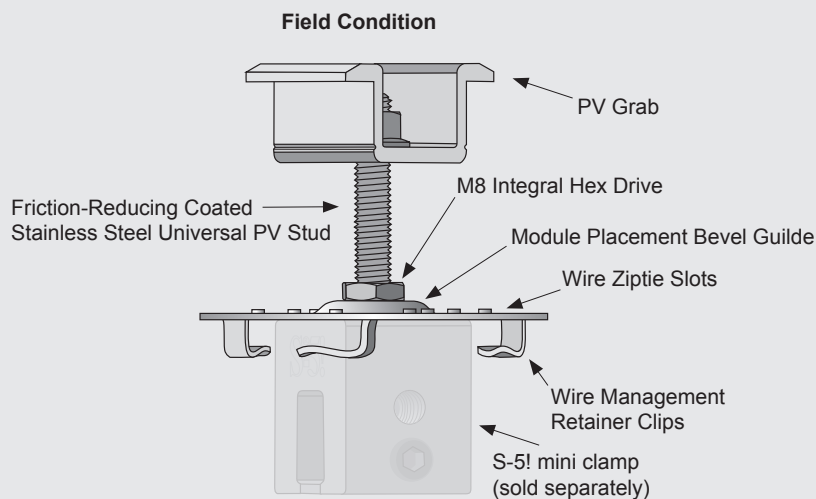
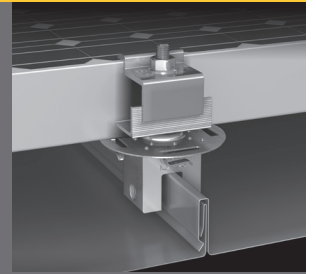
S-5-FA

If the metal roof profile isn't compatible with the three flanged clamps mentioned before (i.e. S-5-ZF, S-5-EF, or S-5-USF), the Utility System can utilize the S-5-FA with the appropriate S-5! clamp to quickly provide a flanged component to any of the other S-5! mini clamps.

S-5![®]
The Right Way!

S-5![®] Solar Attachment

The concept of combining photovoltaic arrays with standing seam metal roofing is growing—and for good reasons. Standing seam metal roofing has a life expectancy which exceeds the life of the framed PV modules.



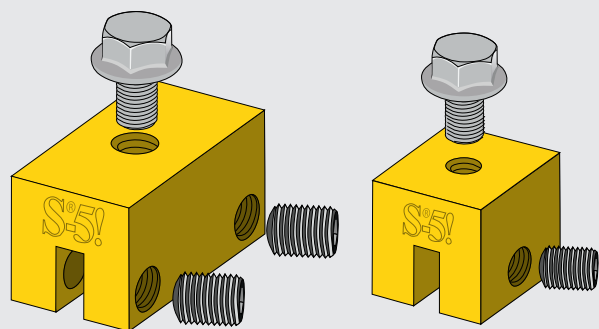
S-5-PV Kit

The S-5-PV Kit features a groundbreaking stainless steel mounting disk with twelve nodes designed to ensure the module-to-module conductivity of anodized aluminum module frames. This means it automatically provides a ground path in the module frame. There are no lugs or wire required, except to connect one string of modules to another and to ground the system. The S-5-PV Kit was one of the first solar module mounting solutions in the industry to be listed to the ANSI approved standard for mounting systems, mounting devices, clamping/retention devices, and ground lugs for use with flat-plate photovoltaic modules and panels, UL 2703. Furthermore, the S-5-PV Kit has gained an ETL Listing to UL 1703.



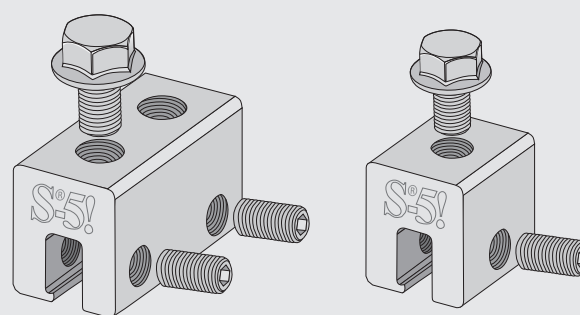
S-5!® Clamps & Brackets

S-5! clamps are designed to have maximum holding strength, while maintaining the roof's weather-tightness and preserving the roof manufacturer's warranty!



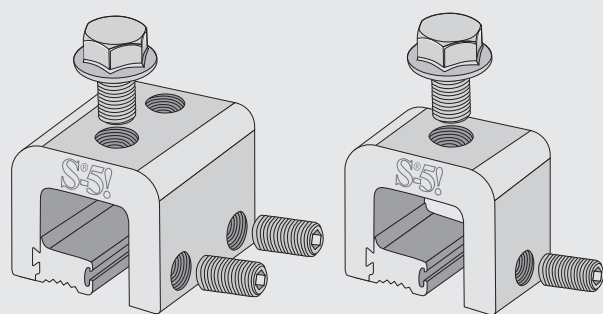
S-5-B and S-5-B Mini

The S-5-B clamp allows architects to maintain the beautiful appearance of their copper roofing. The brass clamp fits either traditional standing or batten seams.



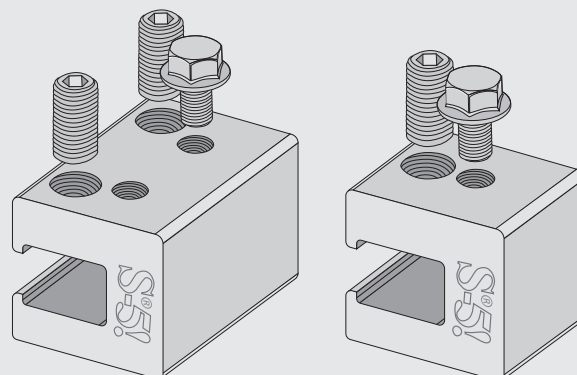
S-5-E and S-5-E Mini

The S-5-E is designed specifically for double-folded standing seam roofs that are popular in Europe and in the U.S. The S-5-E is a bit smaller and less expensive than the S-5-U, but every bit as strong. Designed to fit Butler's MR-24® and other double folded standing seam roofs.



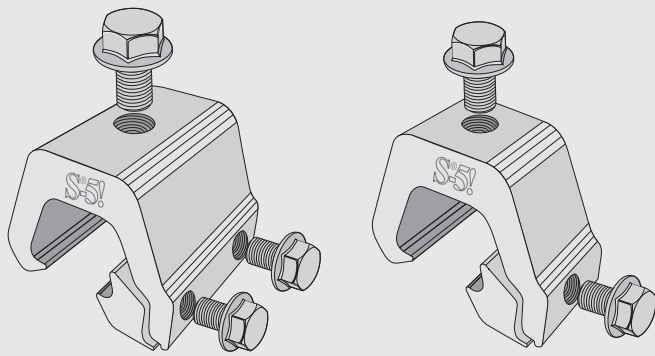
S-5-H and S-5-H Mini

The S-5-H clamp was specifically developed to accommodate metal roof panels with a horizontal seam. The clamp's unique two-piece design allows for attachment anywhere along the length of the rib, making installation fast and easy!



S-5-H90 and S-5-H90 Mini

The S-5-H90 is a one-piece clamp that was developed to securely and cost-effectively accommodate metal roof panels with a horizontal seam greater than 0.65".



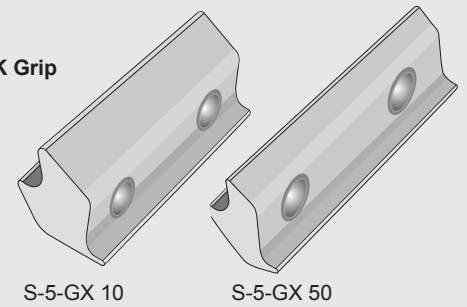
Mini



S-5-K Grip

The S-5-K Grip™ clamp was specifically developed to fit Klip-Rib® and other bulb snap-together seams. The design utilizes multiple inserts (sold separately) in order to accommodate a variety of bulb snap-together profiles. The S-5-K Grip eliminates the large moment arm other attachment products use for these profiles.

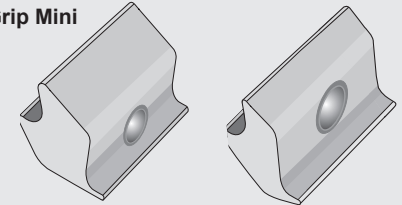
Inserts for the S-5-K Grip



S-5-GX 10

S-5-GX 50

Inserts for the S-5-K Grip Mini

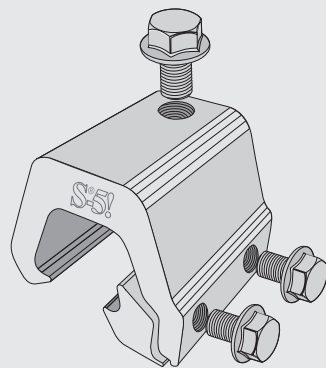


S-5-GXM 10

S-5-GXM 50

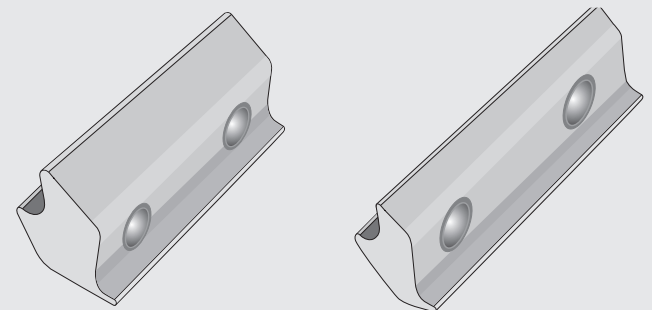
S-5-K Grip Inserts

Each S-5-K Grip insert has a unique shape that allows for a tight fit and provides increased holding strength over other attachment options. S-5-K Grip inserts are sold separately from S-5-K Grip clamps.



S-5-K Grip Snow

The S-5-K Grip Snow™ clamp was specifically developed to fit Klip-Rib® and other bulb snap-together seams to support snow retention. The design utilizes multiple inserts (sold separately) in order to accommodate a variety of bulb snap-together profiles. The S-5-K Grip Snow eliminates the large moment arm other attachment products use for these profiles.

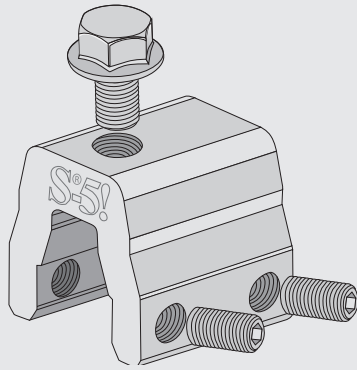


S-5-GX 10

S-5-GX 50

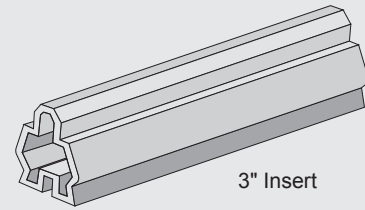
S-5-K Grip Snow Inserts

Each S-5-K Grip Snow insert has a unique shape that allows for a tight fit and provides increased holding strength over other attachment options. S-5-K Grip Snow inserts are sold separately from S-5-K Grip Snow clamps.

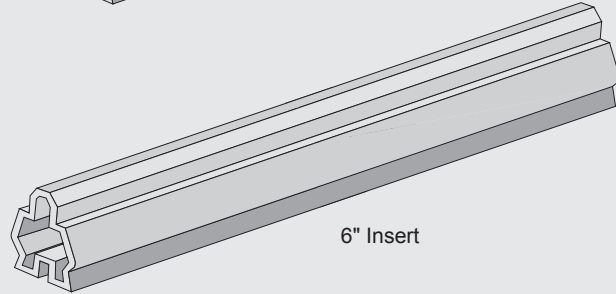


S-5-KHD

The S-5-KHD is the most heavy-duty and durable clamp in the S-5! family. Designed primarily for new construction, this clamp fits the very distinctive profiles of the Lysaght 406°, McElroy Mirage, Metal Sales Clip Loc, and AEP-SPAN Klip-Rib°. This clamp features an insert that is placed on the intermediate rib for extra hold. Significantly stronger than anything else on the market for these profile types, this clamp is geared for snow retention systems and other heavy-duty applications in new construction where holding strength is critical. Retrofit insert also available.



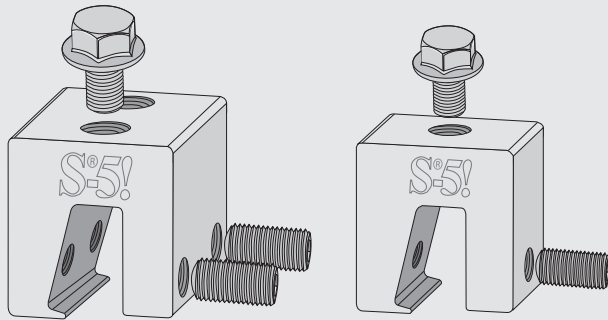
3" Insert



6" Insert

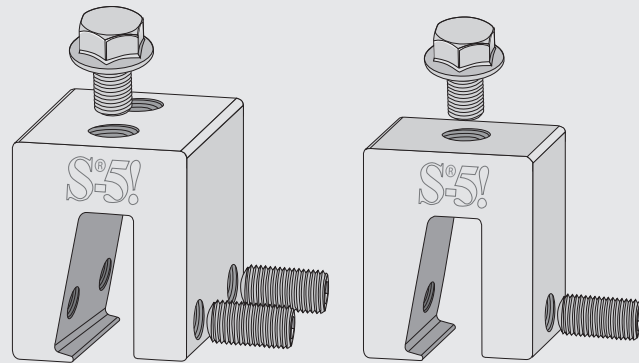
S-5-KHD Inserts

The S-5-KHD clamp features an insert that is placed beneath the intermediate seam for extra hold. Available in two lengths, the inserts make the S-5-KHD significantly stronger than anything else on the market for these profile types.



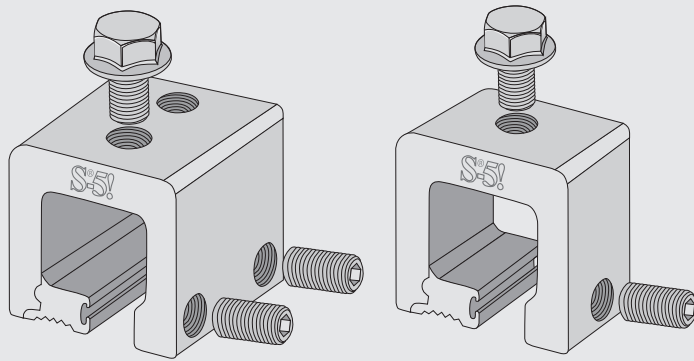
S-5-N and S-5-N Mini

The S-5-N clamp was designed for application on popular 1" nail strip metal roof profiles. The clamp design minimizes the need to field crimp, engages the female part of the triangular seam, sits straighter on the seam, and eliminates the need to hold the clamp in place while setscrews are tensioned.



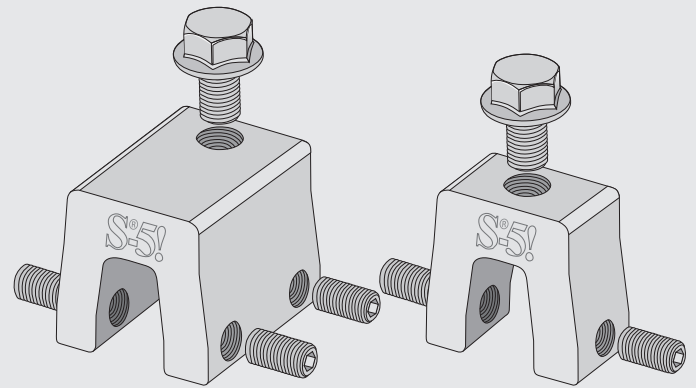
S-5-N 1.5 and S-5-N 1.5 Mini

The S-5-N 1.5 clamp was designed for application on popular 1.5" nail strip metal roof profiles. An angled wall with a nose permits the S-5-N 1.5 to engage the triangle-type profiles during the installation process, and a wider throat accommodates most nail strip profiles. The combination of these two features allows the S-5-N 1.5 clamp to sit straighter on the seam.



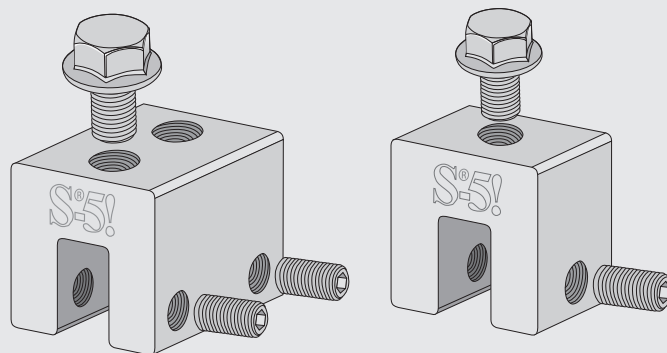
S-5-Q and S-5-Q Mini

The S-5-Q clamp was developed to accommodate metal roof panels having a large, round "bulb" seam configuration up to 29 mm. It will also fit smaller bulb-shaped profiles that were not seamed correctly, allowing the seam to be utilized without modification.



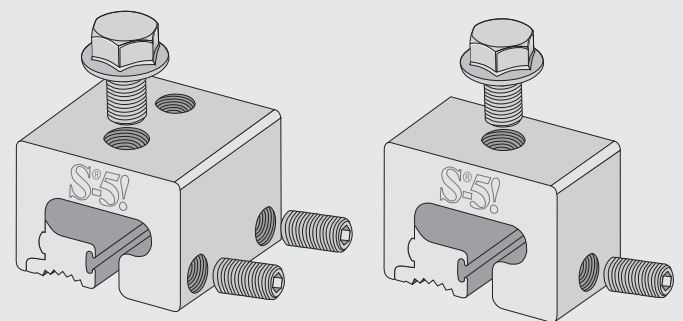
S-5-R465 and S-5-R465 Mini

The S-5-R465 clamp was created specifically to fit the Zambelli RIB-ROOF 465, McElroy Metal's Mirage II, Rib Roof Metal Systems' Rib Roof, and similar roof profiles. The clamps are uniquely designed with opposing setscrews to maximize holding strength, proving to have more than three times the holding strength compared to the old S-5-R model this clamp replaced.



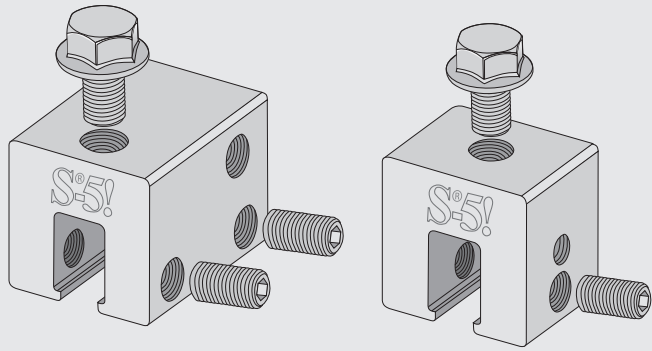
S-5-S and S-5-S Mini

The S-5-S clamp is an extraordinarily versatile clamp. It was created for popular snap-together profiles — including residential profiles such as Taylor Metal's Easy Lock™ Standing Seam and the Firestone UC4. The S-5-S or S-5-S Mini can be used on horizontal seams under 0.54" to avoid field crimping the seam.



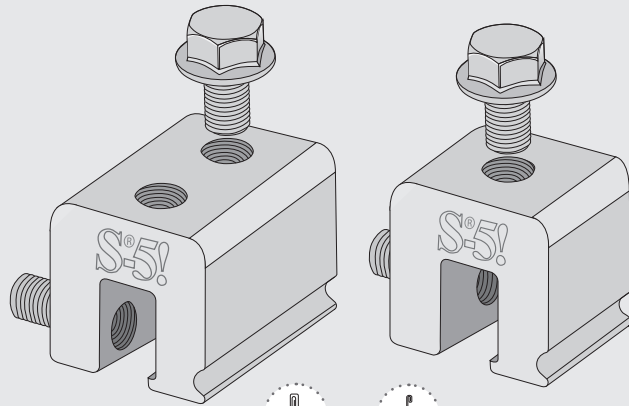
S-5-T and S-5-T Mini

The S-5-T was specially developed to fit certain profiles having a T-shaped seam configuration. Its two-piece design allows it to be easily installed anywhere along the length of the panel seam, and also works on architectural "angle-seam" or "single-folded" paneling.



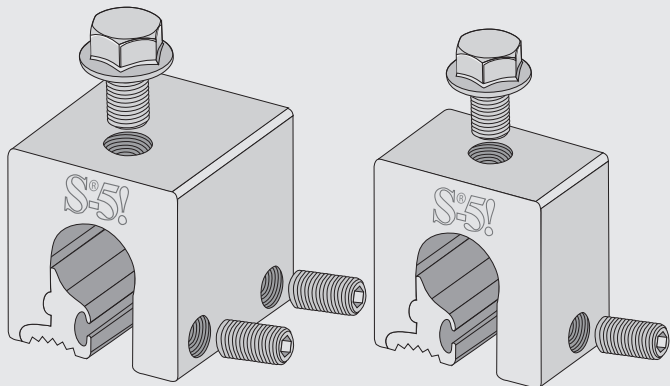
S-5-U and S-5-U Mini

The S-5-U is by far our most popular and versatile clamp. It fits about 85% of the standing seam profiles manufactured in North America — including most structural and many popular architectural profiles. The S-5-U can be used on vertically-oriented seams and, by rotating the clamp 90°, it can also be used on most horizontal 2" seam profiles.



S-5-V and S-5-V Mini

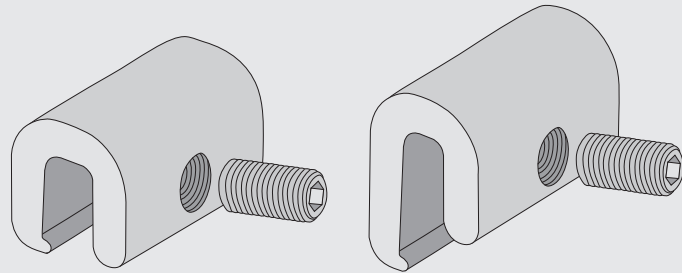
The S-5-V clamp is a versatile clamp that fits vertical-folded seam profiles including most structural and architectural profiles. Its simple design and generous dimensioning are what make the S-5-V clamp so versatile for use with the S-5!® snow retention products, such as ColorGard®, as well as with other heavy-duty applications.



S-5-Z and S-5-Z Mini

The S-5-Z clamp is specially designed to fit Zip-Rib®, Kalzip®, and similar profiles that have a round "bulb" seam configuration. Its two-piece clamp design allows it to be easily installed anywhere along the length of the rib.

S-5!® Wind Solution



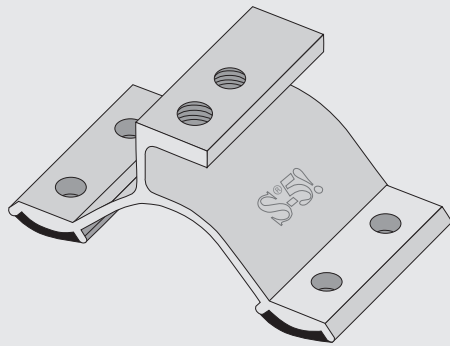
WindClamp DL

WindClamp UD



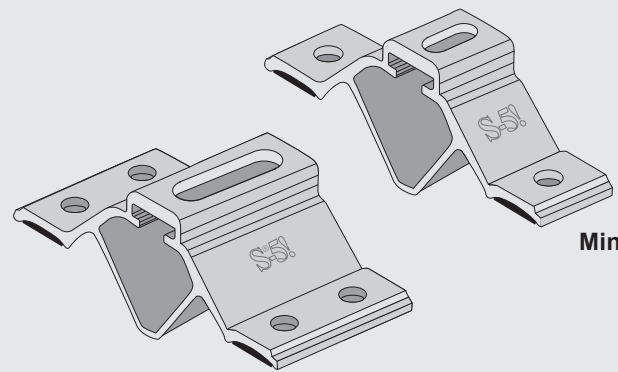
WindClamp™ DL and WindClamp™ UD

Wind uplift can be quite dramatic, threatening to tear a metal roof from its mounting. Likelihood of failure can be reduced with the use of external seam reinforcement, such as the S-5! WindClamps™. For very low cost, S-5! WindClamps increase, and often double, wind resistance, preventing multiple modes of failure, including clip disengagement (when used at a clip location).



CorruBracket™

The S-5!® CorruBracket™ can be used to mount almost anything to corrugated metal roofing. CorruBracket is compatible with 7/8" and 3/4" U.S. corrugated profiles. No messy sealants to apply! No chance for leaks! The CorruBracket comes with factory-applied butyl sealant already in the base, and the S-5!-reservoir conceals the sealant from UV exposure, preventing UV degradation.

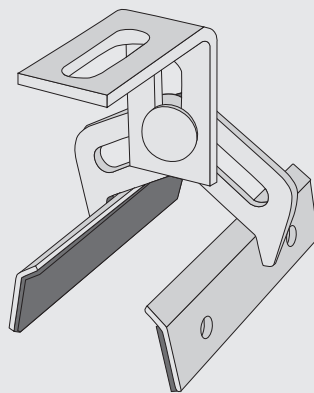


Mini



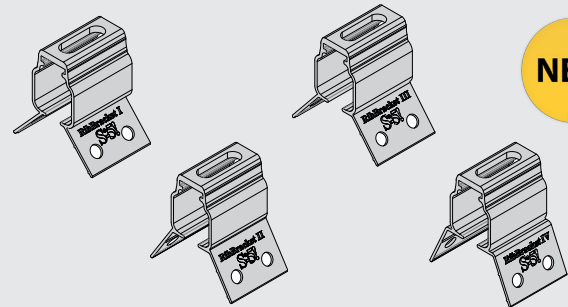
CorruBracket™ 100T

The S-5!® CorruBracket™ 100T is designed specifically for corrugated roofing profiles that are common in North America. CorruBracket 100T mounts directly into the crest of the corrugation, straddling the valley. The slotted top hole, which accommodates standard M8 nuts and bolts, simplifies alignment and maximizes flexibility in attaching ancillaries.



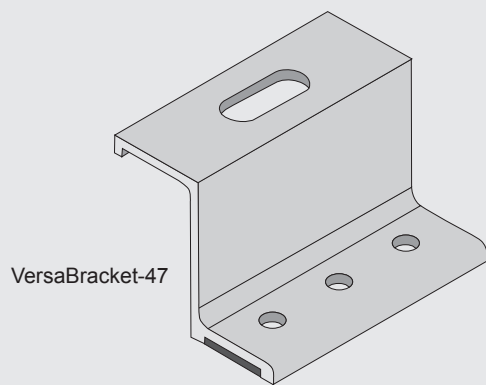
ProteaBracket™

ProteaBracket™ is the most versatile exposed-fastened metal roof attachment solution on the market, fitting most trapezoidal sheet profiles with and without intermediate insulation. It features an adjustable attachment base and multiple solar module attachment options to accommodate varying widths and heights. There are no messy sealants to apply and no chance for leaks; the ProteaBracket comes with factory-applied adhesive rubber sealant to ensure quick installation and a weather-proof fit.

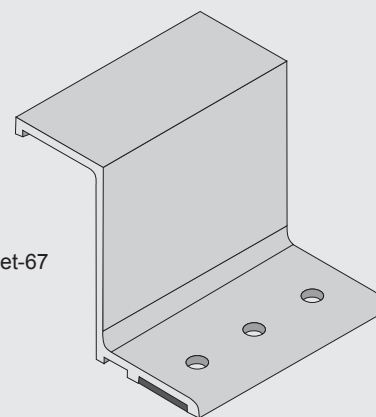


RibBracket™ I, II, III, and IV

RibBracket I-IV supports trapezoid roof profiles with various dimensions. With four different shapes, these brackets can properly fit the vast majority of trapezoid profiles found globally, giving the installer confidence of having the right bracket for their roof and project. The flex-to-fit legs ensure the proper fit on a range of profiles. RibBracket I, II, III, and IV are versatile, reliable, and smart solutions for pairing our PV Kit, EdgeGrab, and third-party rails for your exposed-fastened trapezoidal metal roof.



VersaBracket-47

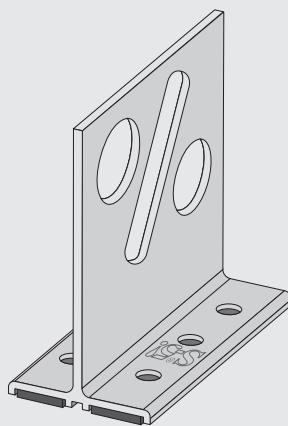


VersaBracket-67



VersaBracket-47™ and VersaBracket-67™

To accommodate various rib heights, VersaBracket™ comes in two heights. VersaBracket can be used to mount almost anything to an exposed-fastened roof system and is compatible with almost any trapezoidal, exposed-fastened profile. No messy sealants to apply! No chance for leaks! The VersaBracket comes with factory-applied butyl sealant already in the base, and the S-5!®-reservoir conceals the sealant from UV exposure, preventing UV degradation.



VersaGard™

The S-5!® VersaGard™ is a strong, versatile, and affordable exposed-fastened solution for mounting snow retention and solar panels to almost any trapezoidal, exposed-fastened profile. VersaGard can be installed parallel (for snow retention or PV installations) or perpendicular to the rib (for PV installations). While the circular holes in the vertical part of the bracket support 1" pipes, the diagonal slot provides flexible support for PV installations via the use of 3/8", M8, or M10 bolts.

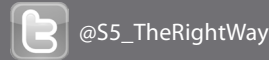
Visit Us Online!

Learn More About S-5!® Products!

To read more about each product and view installation instructions, visit our website at www.S-5.com. You will find helpful videos, customer testimonials, distributor information, and more.

Connect with us!

We would love to connect with you on social media. Stay up-to-date with our newest product launches and find out which tradeshow we'll be attending next!



S-5! Independent Distributors

A. B. Martin Roofing Supply, LLC | abmartin.net
Akrobat Pte, Ltd | akrobat.com.sg
All The Best Sales and Marketing Co., Inc | atbest.ca
Allied Building Products Corp | alliedbuilding.com
AltE | altEstore.com
AMSI Supply | amsisupply.com
Armor Building Supply | armorbuildingsupply.com
ATAS International, Inc | atas.com
AutoMak Assembly, Inc | automakassembly.com
BayWa r.e. | us.baywa-re.com
Big Rock Supply | bigrocksupply.com
Bird Stairs | birdstairs.ca
Blue Water | bluewater-mfg.com
Bridger Steel | bridgersteel.com
BriteStreet | brightstreet.com
Brock Associates, LLC | brock-assoc.com
The Bryer Company | thebryercompany.com
CED/Greentech | cedgreentech.com
Century Solar Supply | centurysolarsupply.com
Cielo Vivo y Cubiertas Integrales | cielovivo.co.cr
Civic Solar | civicsolar.com
Coated Metals Group (CMG) | cmgmetals.com
Design Components | designcomponents.com
Dimensional Metals, Inc. (DMI) | dmimetals.com
Drexel Metals | drexmet.com
EJOT Fastener Systems | ejot-usa.com
Englert | englertinc.com
Essex Energy Corporation | essexenergy.com
Evan Fall Protection | evancorp.com
Everest Solar | everest-solarsystems.com
FallProtec | fallprotec.com
Flexible Lifeline Systems, Inc | flexiblelifeline.com
Gexpro | gexpro.com
Gideon Steel Panels OKC | gideonsteel.com
Glenn International PR | glenninternational.com
Hy-Safe Technology | hysafe.com
IMETCO | imetco.com
Inter-Island Solar Supply | solarsupply.com
K&M Distributors | (434) 841-2018
Kee Safety | keesafety.com
Leading Edge Safety | leadingedgesafety.net
LeverEdge | theleveredge.com
LMCurbs | lmcuibs.com
Lumax Energy | lumaxenergy.com

MAK Fastener Specialists, Ltd | makfasteners.com
MBCI | mbci.com
McElroy Metal, Inc. | mcelroymetal.com
Metal Plus, LLC | metalplusllc.com
Metal Sales | metalsales.us.com
Mounting Systems GmbH | mounting-systems.com
North Coast Commercial Roofing Systems | nccrs.com
Nu-Vue Industries of P.R., Inc | nuvuepr.com
Oakland Metal Sales, Inc | oaklandmetalsales.com
Pac-Clad Petersen Aluminum | pac-clad.com
Pineland Metal Products, Inc | pinelandmetal.com
Platt Electric | platt.com
Premium Panels, Inc | premiumpanels.com
Pro-Bel Enterprises Limited | pro-bel.ca
Rapid Materials | rapidmaterials.com
Renusol Solar Mounting Systems | renusolamerica.com
Renvu, LLC | renvu.com
Rexel | rexel.com
Rocky Mountain Snow Guards | rockymountainsnowguards.com
RoofTech GbR | rooftech.de
Roof Things, LLC | roofthings.com
Rooftop Anchor | rooftopanchor.com
Safeguard Industries | safeguard-industries.com
Safintra | Safintra.com
Schafer and Company | shaferandcompany.com
SFS Intec | sfsintecusa.com
Sheet Metal Supply, Ltd | sheetmetalsupplyltd.com
Sheffield Metals International | sheffieldmetals.com
Sky Products | skyproducts.ca
Solar Solutions | soldist.com
Soligent | soligent.net
Triad Corrugated Metal | triadmetalroof.com
Triangle Fastener | trianglefastener.com
Unistrut Canada Limited | unistrut.com
United Electric Supply | unitedelectric.com
United Renewable Energy | u-renew.com
Van Meter Electric | vanmeterinc.com
Vijanath Interiors & Exteriors, LTD
vijaynathbuildingproducts.com
Wallace Construction Specialties, Ltd | wallace.sk.ca
Warshauer Electric Supply | warshauer.com
Werner Electric | wernerelectric.com
WV Metal Wholesalers, Inc. | wvmetals.com

The Right Way to Attach Almost Anything to Metal Roofs!

S-5!®

The Right Way!



www.S-5.com | 888-825-3432 |



S-5!® Warning! Please use this product responsibly!

Products are protected by multiple U.S. and foreign patents. Visit the website at www.S-5.com for complete information on patents and trademarks. Consult the S-5! website at www.S-5.com for published data regarding holding strength.

Copyright © 2017, Metal Roof Innovations, Ltd.
S-5! aggressively protects its trademarks, and copyrights. Version 062017.

Distributed by: